

Dell™ PowerEdge™
SC1420 Systems
Information Update

信息更新

Mise à jour des informations

Aktuelle Informationen

アップデート情報

정보 업데이트

Actualización de información

Dell™ PowerEdge™
SC1420 Systems
Information Update

Notes, Notices, and Cautions



NOTE: A NOTE indicates important information that helps you make better use of your computer.



NOTICE: A NOTICE indicates either potential damage to hardware or loss of data and tells you how to avoid the problem.



CAUTION: A CAUTION indicates a potential for property damage, personal injury, or death.

Abbreviations and Acronyms

For a complete list of abbreviations and acronyms, see "Glossary" in your *User's Guide*.

Information in this document is subject to change without notice.

© 2004 Dell Inc. All rights reserved.

Reproduction in any manner whatsoever without the written permission of Dell Inc. is strictly forbidden.

Trademarks used in this text: *Dell*, the *DELL* logo, and *PowerEdge* are trademarks of Dell Inc.; *Microsoft* and *Windows* are registered trademarks of Microsoft Corporation; *Red Hat* is a registered trademark of Red Hat, Inc.

Other trademarks and trade names may be used in this document to refer to either the entities claiming the marks and names or their products. Dell Inc. disclaims any proprietary interest in trademarks and trade names other than its own.

Contents

Installing Microsoft Windows Small Business Server 2003	5
Installing Red Hat Enterprise Linux ES (version 3)	5
Memory Cooling Fan and Shroud	5
Installing the Memory Cooling Fan and Shroud	6
System Error Messages	7
System Setup Options	8
Main Screen	8
Assigning a System Password	14
Using Your System Password to Secure Your System	15
Operating With an Admin Password Set	15
Systems With Four Hard Drives or a Tape Backup Unit.	16
Installing SCSI Hard Drives	16
Missing Memory in Systems With PCI Express ("Memory Hole")	17

Figures

Figure 1-1.	Installing the Memory Cooling Fan and Shroud	6
Figure 1-2.	Main System Setup Program Screen	8
Figure 1-3.	Installing SCSI Hard Drives	16

Tables

Table 1-1.	System Messages	7
Table 1-2.	System Options	9
Table 1-3.	Drive Options	9
Table 1-4.	Onboard Devices Options	10
Table 1-5.	Performance Options	11
Table 1-6.	Security Options	11
Table 1-7.	Power Management Options	12
Table 1-8.	Maintenance Options	13
Table 1-9.	POST Behavior Options	13

This document provides updated information for your system on the following topics:

- Installing Microsoft® Windows® Small Business Server 2003
- Installing Red Hat® Enterprise Linux ES (version 3)
- Memory cooling fan and shroud
- System error messages
- System setup options
- Execute Disable feature (System Setup options/Security options)
- Assigning a system password
- Operating with an admin password set
- Systems with four hard drives or a tape backup unit
- Installing SCSI hard drives
- Missing Memory in Systems With PCI Express ("Memory Hole")

Installing Microsoft Windows Small Business Server 2003

If you install Microsoft Windows Small Business Server 2003 on a Dell™ PowerEdge™ SC1420, the installation process may appear to cease with about thirteen minutes remaining during the time when Windows reports that it is registering components. During this portion of the installation, Windows installs additional security updates and patches, which may take significantly longer to install than the reported expected time remaining. While these updates are installing, you should take no action and allow the installation the necessary time to complete. Dell testing has shown the delay to range from 5 to over 45 minutes, depending upon your hardware configuration. Microsoft has documented this behavior in Knowledge Base article #839492.

Installing Red Hat Enterprise Linux ES (version 3)

Before installing Linux on your system, change the SATA Operation option under the Drives menu in the System Setup program to RAID Off.

Memory Cooling Fan and Shroud



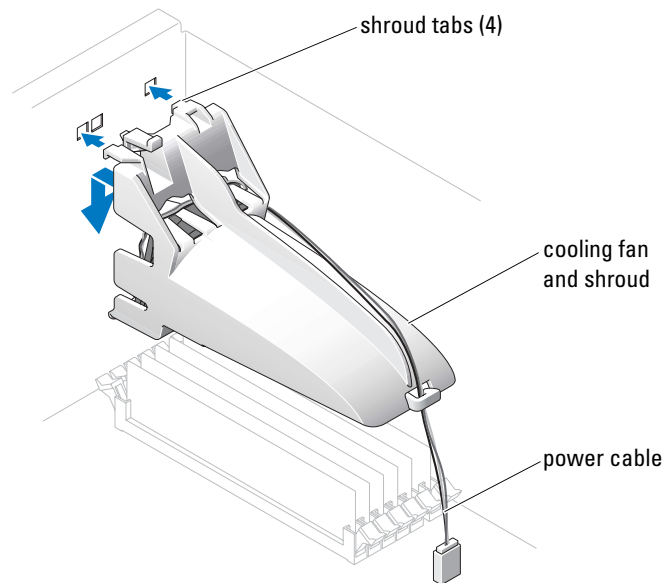
NOTICE: If you install more than 4 GB of memory, you must install the memory cooling fan and shroud to prevent the memory from overheating. If you do not install the memory cooling fan and shroud, you will receive an error message stating that you must install a fan or remove some memory.

Installing the Memory Cooling Fan and Shroud

⚠ CAUTION: See your *System Information Guide* for complete information about safety precautions, working inside the computer, and protecting against electrostatic discharge.

- 1 Turn off the system and attached peripherals, and disconnect the system from the electrical outlet.
- 2 Open the system.
- 3 Align the memory cooling fan and shroud tabs with the holes on the back panel. See Figure 1-1.

Figure 1-1. Installing the Memory Cooling Fan and Shroud



- 4 Insert the tabs and lower the memory cooling fan and shroud until it snaps into place.
- 5 Connect the memory cooling fan and shroud power cable to the system board. See Figure 1-1.
- 6 Close the system.
- 7 Reconnect the system to the electrical outlet, and turn on the system.

System Error Messages

Table 1-1 lists the system error messages that have been added to POST.

Table 1-1. System Messages

Message	Causes	Corrective Actions
Alert! Memory fan has failed or is not present. A memory fan is required for the current memory configuration. Please see the documentation that came with your computer for more information.	Greater than 4 GB memory installed without installing required memory fan.	Install or replace the memory cooling fan and shroud.
Alert! Operating in debug mode. Please populate memory in pairs for normal operation.	Only one memory module with a capacity greater than 256 MB is installed in DIMM_1.	You will see this error message when troubleshooting memory modules. After you have completed the troubleshooting procedures, populate the memory in identical pairs. See "Troubleshooting System Memory" and "Memory Installation Guidelines" in your <i>Installation and Troubleshooting Guide</i> .
Alert! Unable to initialize fan controller.	Faulty system board.	See "Getting Help" in your <i>Installation and Troubleshooting Guide</i> .
Error! Memory configured incorrectly. Please enter Setup for Memory Info details.	The memory modules are installed incorrectly.	See "Memory Installation Guidelines" in your <i>Installation and Troubleshooting Guide</i> .

System Setup Options

Main Screen

Figure 1-2 shows an example of the main screen.

Figure 1-2. Main System Setup Program Screen

Dell System PowerEdge SC1420		(www.dell.com)	
<p>System</p> <p>System Info CPU Info Memory Info Date/Time Boot Sequence</p> <p>Drives</p> <p>Diskette Drive Drive 0: SATA-0 Drive 1: SATA-1 Drive 2: DATA-0 Drive 3: DATA-1 Drive 4: DATA-2 Drive 5: DATA-3 SATA Operation SMART Reporting</p> <p>Onboard Devices</p> <p>Integrated NIC LPT Port Mode LPT Port Address Serial Port #1 Serial Port #2 USB PS/2 Mouse Port</p> <p>Performance</p> <p>Hyper-Threading HDD Acoustic Mode</p> <p>Security</p> <p>Admin password System password</p>	<p>Diskette Drive</p> <p>Off USB Internal Read Only</p> <p>This field determines how the floppy drive operates.</p> <p>Off = All floppy drives are disabled. USB = The internal floppy drive is disabled. If the USB controller is enabled and a USB floppy exists it will be bootable. Internal = The internal floppy drive is enabled. Read Only = The internal floppy drive is enabled and only allows reads.</p> <p>The factory default setting is Internal.</p> <p>Use ENTER to modify this selection Use Up/Down arrows to select a different field Use ESC key to exit this program Use +/- keys to expand or collapse a group</p>		

Table 1-2 through Table 1-9 list the options and descriptions for each group of information fields that appear on the main System Setup program screen.


 **NOTE:** The System Setup program defaults are listed under their respective options, where applicable.

Table 1-2. System Options

Option	Description
System Info	Displays the System name, BIOS Version number, BIOS Date, Service Tag, Express Service Code, and Asset Tag.
CPU Info	Displays the following information for the processor installed in the system: Processor Type, Processor Clock Speed, Processor Bus Speed, Processor Cache Size, Processor ID number, whether the processor is Hyper-Threading Capable, and if the processor has 64-bit Technology.
Memory Info	Displays the amount of Installed Memory, Memory Speed, Memory Channel Mode, and a description of the Memory Technology. This option also displays a table that describes the memory size, whether the memory module is ECC capable, single or dual rank, type, and organization.
Date/Time	Resets the system's internal calendar and clock.
Boot Sequence (Diskette drive default)	Determines the order in which the system searches for boot devices during system startup. Available options can include the diskette drive, CD drive, hard drives, and network.

Table 1-3. Drive Options

Option	Description
Diskette Drive (Internal default)	Enables and disables the diskette drives and sets read permission for the internal diskette drive. Off disables all diskette drives. USB disables the internal diskette drive and enables a USB drive if the USB controller is enabled and a USB drive is connected. Internal enables the internal diskette drive. Read Only enables the internal drive controller and allows the internal diskette drive read-only permission. NOTE: Diskette drives are optional and may not be part of your system.
Drive (0-5) (On default)	Enables or disables a PATA or SATA device (such as hard-drive, CD drive, or DVD drive). Off disables the interface so that the device cannot be used. On enables the interface so that the device can be used. Displays the Controller type (PATA or SATA), Port number the drive is using, Drive ID number, Capacity, and whether the drive is controlled by the BIOS. NOTE: Drive 0 and drive 1 are reserved for SATA drives and drives 2–5 are reserved for PATA or IDE drives.

Table 1-3. Drive Options (continued)

Option	Description
SATA Operation (RAID On default)	Determines the integrated SATA controller's operating mode. RAID On enables RAID support. RAID Off disables RAID support. NOTICE: When using a SCSI RAID add-in controller card, set the integrated SATA controller's operating mode to RAID Off .
SMART Reporting (Off default)	Determines whether hard-drive errors for internal drives are reported during system startup. Off does not report errors. On reports errors.

Table 1-4. Onboard Devices Options

Option	Description
Integrated NIC (On default)	Enables or disables the integrated NIC controller. Off disables the controller. On enables the controller. NOTE: PXE or RPL is required only if you are booting to an operating system on another system; not if you are booting to an operating system on a hard drive in this system.
USB (On default)	Enables or disables the internal USB controller. Off disables the controller. On enables the controller. No Boot enables the controller but disables the ability to boot from a USB device.
LPT Port Mode (PS/2 default)	Determines the mode of operation of the internal parallel port. Off disables the port. AT configures the port for IBM AT compatibility. PS/2 configures the port for IBM PS/2 compatibility. EPP configures the port for the EPP bidirectional protocol. ECP configures the port for the ECP bidirectional protocol. If you set the LPT Port Mode to ECP , the LPT Port DMA option appears in the option menu.
LPT Port Address (378 default)	Determines the address that the built-in parallel port uses.
Serial Port (#1 or #2) (Auto default)	Serial Port 1 options are COM1 , COM3 , Auto , and Off . Serial Port 2 options are COM2 , COM4 , Auto , and Off . When serial port 1 or 2 is set to Auto , the integrated port automatically maps to the next available port. Serial port 1 attempts to use COM1 first and then COM3 . Serial port 2 attempts to use COM2 first and then COM4 . If both addresses are in use for a specific port, the port is disabled. If you set the serial port to Auto and add an expansion card with a port configured to the same designation, the system automatically remaps the integrated port to the next available port designation that shares the same IRQ setting.
PS/2 Mouse Port (On default)	Enables or disables the integrated PS/2-compatible mouse controller. Off disables the controller. On enables the controller.

Table 1-5. Performance Options

Option	Description
Hyper-Threading (On default)	Determines whether the physical processor appears as one or two logical processors. The performance of some applications improve with additional logical processors installed. On enables hyper-threading. Off disables hyper-threading.
HDD Acoustic Mode (Performance default)	Allows you to optimize SATA or PATA drive performance and noise level based on personal preferences. Bypass is used for older drives. Quiet slows drive performance but reduces drive noise. Suggested adjusts performance to the manufacturers preferred mode. Performance increases drive performance but may increase drive noise.

Table 1-6. Security Options

Option	Description
Admin Password (Not Set default)	Displays the current status of your System Setup program's password security feature and allows you to verify and assign a new admin password. NOTE: See "Using the Admin Password" in your <i>User's Guide</i> for instructions on assigning an admin password and using or changing an existing admin password.
System Password (Not Set default)	Displays the current status of your system's password security feature and allows you to verify and assign a new system password. NOTE: See "Using the System Password" in your <i>User's Guide</i> for instructions on assigning a system password and using or changing an existing system password.
Password Changes (Unlocked default)	Determines the interaction between the System password and the Setup password. Locked prevents a user with a valid Setup password from being able to modify the System password. Unlocked allows a user with a valid Setup password to modify the system password.
Chassis Intrusion (On-Silent default)	Enables or disables the chassis-intrusion detection feature. When set to On-Silent , chassis intrusion is detected but no warning message is reported during start-up. When set to On , this field displays DETECTED when the chassis cover has been opened. Pressing any edit key acknowledges the intrusion and arms the system to look for further security breaches. Off disables the chassis-intrusion detection feature.
Intrusion Alert	Pressing the <Enter> key acknowledges the intrusion and arms the system to look for further security breaches.

Table 1-6. Security Options (continued)

Option	Description
Execute Disable (On default)	Execute Disable (XD) is a new security feature that helps prevent code execution in certain memory areas when combined with a supported operating system or application. Execute Disable can help to prevent a class of viruses that use buffer overflow attacks. Execute Disable has two settings, On and Off . On indicates that Execute Disable Memory Protection Technology is on. Off indicates that Execute Disable Memory Protection Technology is off.

Table 1-7. Power Management Options

Option	Description
AC Recovery (Last default)	Determines how the system responds when AC power is reapplied after a power loss. Off commands the system to stay off when the power is reapplied. You must press the front-panel power button before the system turns on. On commands the system to turn on when the power is reapplied. Last commands the system to return to the last power state the system was in just before it was turned off.
Auto Power On (Off default)	Determines when to use the Auto Power Time setting to turn on the system. Off commands the system to not use the Auto Power Time feature. Everyday turns on the system every day at the time set in Auto Power Time . Weekdays turns on the system every day from Monday through Friday at the time set in Auto Power Time .
Auto Power Time	Determines the time that you want the system to turn on.
Low Power Mode (Off default)	On conserves more power by removing power from most hardware features. Off conserves less power and removes power from fewer hardware features.
Remote Wake Up (Off default)	Determines how the system is turned on remotely from the Suspend , Hibernate , or Off states. Off disables the NIC from waking up the system. On enables the NIC to wake up the system. On w/ Boot to NIC enables the NIC to wake up the system and boot from the network. If you want the system to perform a Remote Wake Up , you must first set Low Power Mode to Off .

Table 1-8. Maintenance Options

Option	Description
Load Defaults	Allows you to restore all System Setup options to their factory defaults.
Event Log	Allows you to view the Event Log . Entries are marked R for Read and U for Unread . Mark All Entries Read puts an R to the left of all the entries. Clear Log clears the Event Log .

Table 1-9. POST Behavior Options

Option	Description
Fast Boot (On default)	When enabled, this feature reduces system startup time by bypassing some compatibility steps. Off does not skip any steps during system startup. On starts the system more quickly.
Numlock Key (On default)	Determines the functionality of the numeric keys on the right side of your keyboard. Off commands the right keypad keys to function as arrows. On commands the right keypad keys to function as numbers.
POST Hotkeys (Setup and Boot Menu default)	Determines whether the sign-on screen displays a message stating the keystroke sequence that is required to enter the Setup program or the Quickboot feature. Setup & Boot Menu displays both messages (F2=Setup and F12=Boot Menu). Setup displays the setup message only (F2=Setup). Boot Menu displays the Quickboot message only (F12=Boot Menu). None displays no message.
Keyboard Errors (Report default)	When set to Report (enabled) and an error is detected during POST, the BIOS will display the error message and prompt you to press <F1> to continue or press <F2> to enter System Setup. When set to Do Not Report (disabled) and an error is detected during POST, the BIOS will display the error message and continue booting the system.

Assigning a System Password

Before you assign a system password, enter the System Setup program and check the **System Password** option.

When a system password is assigned, the setting shown for the **System Password** option is **Set**. If the setting shown for the **Password Changes** is **Unlocked**, you can change the system password. If the **Password Changes** option is **Locked**, you cannot change the system password. When the system password feature is disabled by a jumper setting, the system password is **Disabled**, and you cannot change or enter a new system password.


When a system password is not assigned and the password jumper on the system board is in the enabled (default) position, the setting shown for the **System Password** option is **Not Set** and the **Password Changes** field is **Unlocked**. To assign a system password:

- 1 Verify that the **Password Changes** option is set to **Unlocked**.
- 2 Highlight the **System Password** option and press <Enter>.
- 3 Type your new system password.

You can use up to 32 characters in your password.


As you press each character key (or the spacebar for a blank space), a placeholder appears in the field.

The password assignment is not case-sensitive. However, certain key combinations are not valid. If you enter one of these combinations, the system beeps. To erase a character when entering your password, press <Backspace> or the left-arrow key.

 **NOTE:** To escape from the field without assigning a system password, press <Enter> to move to another field, or press <Esc> at any time before completing step 5.

- 4 Press <Enter>.
- 5 To confirm your password, type it a second time and press <Enter>.
The setting shown for the **System Password** changes to **Set**.
- 6 Save and exit the System Setup program and begin using your system.

Using Your System Password to Secure Your System

 **NOTE:** If you have assigned an admin password (see "Using the Admin Password" in your *User's Guide*), the system accepts your admin password as an alternate system password.

When the **Password Changes** option is set to **Unlocked**, you have the option to leave the password security enabled or to disable the password security.

To leave the password security enabled:


- 1 Turn on or reboot your system by pressing <Ctrl><Alt>.
- 2 Type your password and press <Enter>.

When the **Password Changes** option is set to **Locked** whenever you turn on your system or reboot your system by pressing <Ctrl><Alt>, type your password and press <Enter> at the prompt.

After you type the correct system password and press <Enter>, your system operates as usual.

If an incorrect system password is entered, the system displays a message and prompts you to re-enter your password. You have three attempts to enter the correct password. After the third unsuccessful attempt, the system displays an error message showing the number of unsuccessful attempts and that the system has halted and will shut down. This message can alert you to an unauthorized person attempting to use your system.


Even after you shut down and restart the system, the error message continues to be displayed until the correct password is entered.

 **NOTE:** You can use the **Password Changes** option in conjunction with the **System Password** and **Admin Password** options to further protect your system from unauthorized changes.

Operating With an Admin Password Set

If **Admin Password** is **Set**, you must enter the correct admin password before you can modify most of the System Setup options. When you start the System Setup program, you must enter the password from the **Unlock Setup** option.

If you do not enter the correct password in three attempts, the system lets you view, but not modify, the System Setup screens—with the following exception: If **System Password** is not set to **Set** and is not locked through the **Password Changes** option, you can assign a system password (however, you cannot disable or change an existing system password).

 **NOTE:** You can use the **Password Changes** option in conjunction with the **Admin Password** option to protect the system password from unauthorized changes.

Systems With Four Hard Drives or a Tape Backup Unit

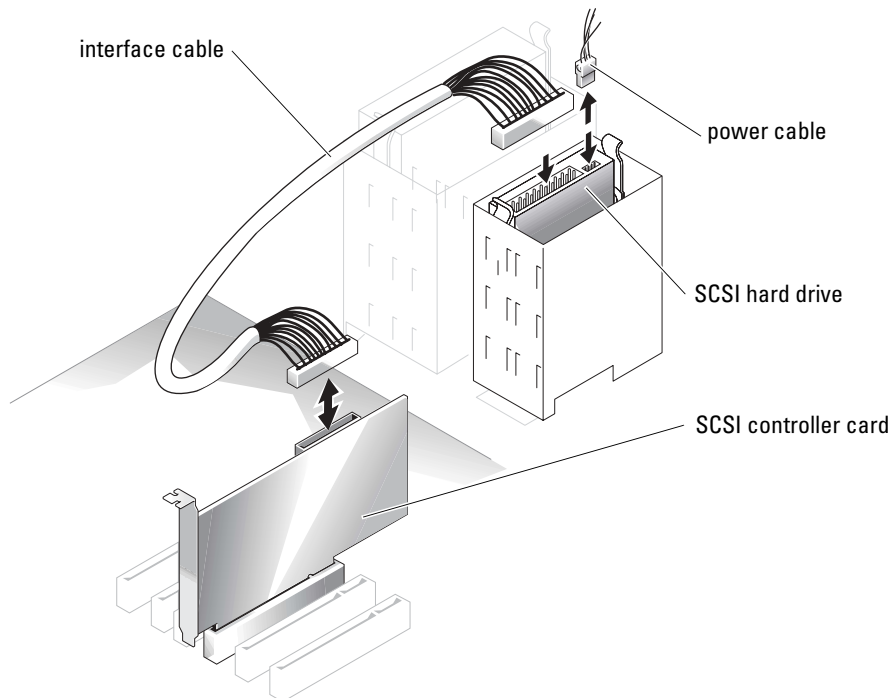
NOTE: Call Dell for the processor fan and shroud specifications.

If your system contains a single processor and you upgrade to a configuration with four hard drives or a tape backup unit, you must install the second processor fan and cooling shroud. See your *Installation and Troubleshooting Guide* for instructions about installing the processor fan and cooling shroud.

Installing SCSI Hard Drives

When installing SCSI hard drives, you must connect the drives to a SCSI controller card. See Figure 1-3. The installation illustration in your *Installation and Troubleshooting Guide* shows the drives being connected to the system board.

Figure 1-3. Installing SCSI Hard Drives



Missing Memory in Systems With PCI Express ("Memory Hole")

A condition has been noted on system configurations containing PCI Express slots and RAM of 3.5 GB or greater. The operating system will show an amount of available RAM that is less than the amount actually installed on the system. The difference of memory, commonly called a "memory hole," is due to the requirements of the PCI Express subsystem and how memory is allocated by the system. PCI Express requires RAM in amounts of 256 MB full blocks at a time. Therefore, a minimum of 256 MB of memory is allotted by the system for PCI Express use, and the allocation can go higher (in additional blocks of 256 MB) if the system contains additional adapters, either peripheral or integrated, or if your system supports hot-plug PCI Express.

The memory hole is visible only at the operating system level. The System Setup program reports the installed RAM correctly.

At this writing, one workaround is available, as reported in the Microsoft Knowledge Base article #283037 available on Microsoft's support website. The workaround applies only if your system has 4 GB or more of RAM and your operating system supports Physical Address Extensions (PAE).



NOTICE: You should exercise caution before enabling PAE in your operating system as a number of problems can occur in certain system configurations. You should search both the Dell and Microsoft Knowledge Bases for articles detailing these issues and take the appropriate measures to avoid them.

To enable PAE in Microsoft Windows 2000 and 2003, add a /PAE switch in the `boot.ini` file to the line that corresponds to the Windows operating system. For other operating systems, refer to your documentation or operating system support website for information on PAE support.

Dell™ PowerEdge™

SC1420 系统

信息更新

注、注意和警告



注：注表示可以帮助您更好地使用计算机的重要信息。



注意：注意表示可能会损坏硬件或导致数据丢失，并告诉您如何避免此类问题。



警告：警告表示存在可能导致财产损失、人身伤害或死亡的潜在危险。

缩略语和缩写词

有关缩略语和缩写词的完整列表，请参阅《用户指南》中的“词汇表”。

本文件中的信息如有更改，恕不另行通知。

© 2004 Dell Inc. 保留所有权利。

未经 Dell Inc. 书面许可，不准以任何形式进行复制。

本文件中使用的商标：*Dell*、*DELL* 徽标和 *PowerEdge* 是 Dell Inc. 的商标；*Microsoft* 和 *Windows* 是 Microsoft Corporation 的注册商标；*Red Hat* 是 Red Hat, Inc. 的注册商标。

本文件中述及其他商标和产品名称是指拥有相应商标和名称的公司或其制造的产品。Dell Inc. 对本公司的商标和名称之外的其他商标和名称不拥有任何专有权。

目录

安装 Microsoft Windows Small Business Server 2003	23
安装 Red Hat Enterprise Linux ES (第 3 版)	23
内存冷却风扇和护罩	23
安装内存冷却风扇和护罩	23
系统错误信息	25
系统设置选项	26
主屏幕	26
设定系统密码	32
使用系统密码保护您的系统	32
在 Admin 密码已设置时进行操作	33
有四个硬盘驱动器或一个磁带备份单元的系统	33
安装 SCSI 硬盘驱动器	34
在带有 PCI Express 的系统中丢失内存 (“内存孔”)	35

图

图 1-1.	安装内存冷却风扇和护罩	24
图 1-2.	系统设置程序主屏幕	26
图 1-3.	安装 SCSI 硬盘驱动器	34

表

表 1-1.	系统信息	25
表 1-2.	系统选项	27
表 1-3.	驱动器选项	27
表 1-4.	机载设备选项	28
表 1-5.	性能选项	29
表 1-6.	安全保护选项	29
表 1-7.	电源管理选项	30
表 1-8.	维护选项	31
表 1-9.	POST 行为选项	31

本说明文件针对您的系统提供了有关以下主题的更新信息:

- 安装 Microsoft® Windows® Small Business Server 2003
- 安装 Red Hat® Enterprise Linux ES (第 3 版)
- 内存冷却风扇和护罩
- 系统错误信息
- 系统设置选项
- Execute Disable (执行禁止) 功能 (系统设置选项/安全保护选项)
- 设定系统密码
- 在 admin 密码已设置时进行操作
- 有四个硬盘驱动器或一个磁带备份单元的系统
- 安装 SCSI 硬盘驱动器
- 在带有 PCI Express 的系统中丢失内存 (“内存孔”)

安装 Microsoft Windows Small Business Server 2003

如果在 Dell™ PowerEdge™ SC1420 上安装 Microsoft Windows Small Business Server 2003, 则在 Windows 报告正在注册组件时, 安装过程在剩下的大约 13 分钟内可能看起来已停止。在这一段安装过程中, Windows 将安装其它的安全更新和补丁程序, 安装时间可能比所报告的预计剩余时间要长很多。这些更新正在安装时, 请您不要执行任何操作, 给安装留出所需的完成时间。Dell 测试显示延迟的时间为 5 到 45 分钟以上, 具体取决于您的硬件配置。Microsoft 已经在知识库文章 #839492 中记录了这一情况。

安装 Red Hat Enterprise Linux ES (第 3 版)

将 Linux 安装到系统之前, 请将“系统设置”程序中 Drives (驱动器) 菜单下的 SATA Operation (SATA 操作) 选项更改为 RAID Off (RAID 关闭)。

内存冷却风扇和护罩



注意: 如果您安装的内存超过 4 GB, 则必须安装内存冷却风扇和护罩, 以防内存过热。如果您没有安装内存冷却风扇和护罩, 则会出现一条错误信息, 指出您必须安装风扇或者卸下一些内存。

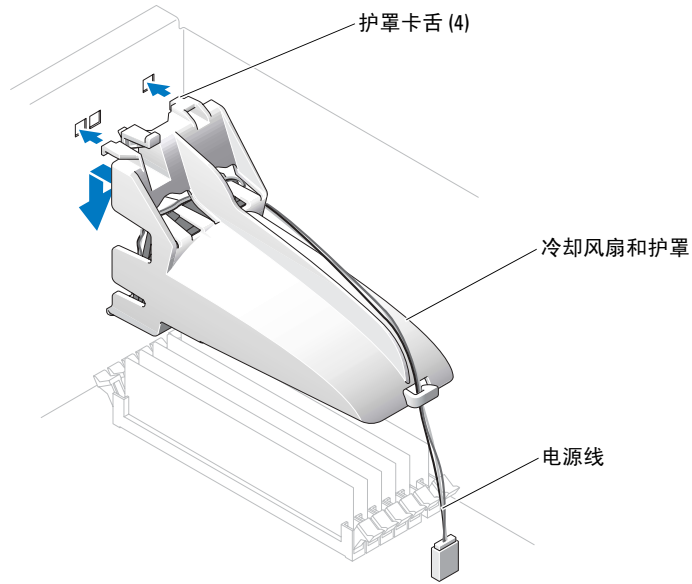
安装内存冷却风扇和护罩



警告: 有关安全预防措施、拆装计算机内部组件以及防止静电释放的完整信息, 请参阅《系统信息指南》。

- 1 关闭系统和连接的外围设备的电源, 然后断开系统与电源插座的连接。
- 2 打开机箱。
- 3 将内存冷却风扇和护罩卡舌同背板上的孔对准。请参阅图 1-1。

图 1-1. 安装内存冷却风扇和护罩



- 4 插入卡舌并降低内存冷却风扇和护罩，直到它卡入到位。
- 5 将内存冷却风扇和护罩的电源线连接到系统主板。请参阅图 1-1。
- 6 合上机箱。
- 7 将系统重新连接至电源插座，然后开机。

系统错误信息

表 1-1 列出了添加到 POST 中的系统错误信息。

表 1-1. 系统信息

信息	原因	纠正措施
Alert! Memory fan has failed or is not present. A memory fan is required for the current memory configuration. Please see the documentation that came with your computer for more information.	安装的内存容量大于 4 GB, 但没有安装所需的内存风扇。	请安装或者更换内存冷却风扇和护罩。
Alert! Operating in debug mode. Please populate memory in pairs for normal operation.	DIMM_1 上只安装一个容量大于 256 MB 的内存模块。	排除内存模块故障时, 您会看到这条错误信息。完成故障排查过程后, 请成对添加内存, 且每对内存必须相同。请参阅《安装和故障排除指南》中的“排除系统内存故障”和“内存安装指南”。
Alert! Unable to initialize fan controller.	主机板出现故障。	请参阅《安装和故障排除指南》中的“获得帮助”。
Error! Memory configured incorrectly. Please enter Setup for Memory Info details.	内存模块的安装不正确。	请参阅《安装和故障排除指南》中的“内存安装指南”。

系统设置选项

主屏幕

图 1-2 显示了主屏幕的示例。

图 1-2. 系统设置程序主屏幕

System		Diskette Drive			
System Info		Off	USB	Internal	Read Only
CPU Info		This field determines how the floppy drive operates.			
Memory Info		Off	= All floppy drives are disabled.		
Date/Time		USB	= The internal floppy drive is disabled. If the USB controller is enabled and a USB floppy exists it will be bootable.		
Boot Sequence		Internal	= The internal floppy drive is enabled.		
		Read Only	= The internal floppy drive is enabled and only allows reads.		
		The factory default setting is Internal.			
Drives					
Diskette Drive					
Drive 0: SATA-0					
Drive 1: SATA-1					
Drive 2: DATA-0					
Drive 3: DATA-1					
Drive 4: DATA-2					
Drive 5: DATA-3					
SATA Operation					
SMART Reporting					
Onboard Devices					
Integrated NIC					
LPT Port Mode					
LPT Port Address					
Serial Port #1					
Serial Port #2					
USB					
PS/2 Mouse Port					
Performance					
Hyper-Threading					
HDD Acoustic Mode					
Security					
Admin password					
System password					
		Use ENTER to modify this selection Use Up/Down arrows to select a different field Use ESC key to exit this program Use +/- keys to expand or collapse a group			

表 1-2 到表 1-9 列出了“系统设置”程序主屏幕上出现的每组信息字段的选项和说明。


 **注** 系统设置程序的默认设置在各自选项的下面列出（如果有）。

表 1-2. 系统选项

选项	说明
System Info (系统信息)	显示系统名称、BIOS 版本号、BIOS 日期、服务标签、快速服务代码和资产标签。
CPU Info (CPU 信息)	显示系统上安装的处理器的下列信息：处理器类型、处理器时钟速度、处理器总线速度、处理器高速缓存大小、处理器 ID -号、处理器是否具有超线程功能，以及处理器是否采用 64 位技术。
Memory Info (内存信息)	显示安装的内存数量、内存速率、内存通道模式和内存技术描述。这个选项也会显示一个表，描述内存的大小、内存模块是否具有 ECC 功能、单排或者双排、类型和组织。
Date/Time (日期/时间)	重置系统内部日历和时钟。
Boot Sequence (引导顺序) (默认设置为软盘驱动器)	确定在系统启动期间系统搜索引导设备的顺序。可用选项包括软盘驱动器、CD 驱动器、硬盘驱动器和网络。

表 1-3. 驱动器选项

选项	说明
Diskette Drive (软盘驱动器) (默认设置为 Internal (内部))	启用以及禁用软盘驱动器，并且设置内部软盘驱动器的读取权限。 Off (关闭) 禁用所有软盘驱动器。 USB 禁用内部软盘驱动器，并且启用 USB 驱动器（如果启用了 USB 控制器并且连接了 USB 驱动器的话）。 Internal (内部) 启用内部软盘驱动器。 Read Only (只读) 启用内部驱动器控制器，并且授予内部软盘驱动器只读权限。 注 软盘驱动器是可选的，您的系统中可能会没有软盘驱动器。
Drive (0-5) (驱动器 (0-5)) (默认设置为 On (开启))	启用或禁用 PATA 或 SATA 设备（例如硬盘驱动器、CD 驱动器或者 DVD 驱动器）。 Off (关闭) 禁用接口，使设备无法使用。 On (开启) 启用接口，使设备可以使用。 显示控制器类型 (PATA 或 SATA)、驱动器使用的端口号、驱动器 ID 号、容量以及是否由 BIOS 控制驱动器。 注 驱动器 0 和驱动器 1 预留用于 SATA 驱动器，驱动器 2-5 预留用于 PATA 或 IDE 驱动器。
SATA Operation (SATA 操作) (默认设置为 RAID On (RAID 开启))	决定集成 SATA 控制器的工作模式。 RAID On (RAID 开启) 启用 RAID 支持。 RAID Off (RAID 关闭) 禁用 RAID 支持。 注意 ：使用 SCSI RAID 附加控制卡时，将集成 SATA 控制器的工作模式设置为 RAID Off (RAID 关闭)。
SMART Reporting (SMART 报告) (默认设置为 Off (关闭))	决定是否在系统启动期间报告内部驱动器的硬盘驱动器错误。 Off (关闭) 不报告错误。 On (开启) 报告错误。

表 1-4. 机载设备选项

选项	说明
Integrated NIC (集成 NIC) (默认设置为 On (开启))	启用或禁用集成 NIC 控制器。 Off (关闭) 禁用控制器。 On (开启) 启用控制器。 注 只有当您引导至另一个系统上的操作系统时才需要 PXE 或 RPL; 如果要引导至本系统中硬盘驱动器上的操作系统, 则不需要。
USB (默认设置为 On (开启))	启用或禁用内部 USB 控制器。 Off (关闭) 禁用控制器。 On (开启) 启用控制器。 No Boot (不引导) 启用控制器但是禁用从 USB 设备引导的能力。
LPT Port Mode (LPT 端口模式) (默认设置为 PS/2)	决定内部并行端口的工作模式。 Off (关闭) 禁用端口。 AT 将端口配置为与 IBM AT 兼容。 PS/2 将端口配置为与 IBM PS/2 兼容。 EPP 配置端口以使用 EPP 双向协议。 ECP 配置端口以使用 ECP 双向协议。 如果将 LPT Port Mode (LPT 端口模式) 设置为 ECP , 选项菜单中会出现 LPT Port DMA (LPT 端口 DMA) 选项。
LPT Port Address (LPT 端口地址) (378 是默认值)	决定内置并行端口使用的地址。
Serial Port (#1 or #2) (串行端口 #1 或 #2) (默认设置为 Auto (自动))	串行端口 1 的选项是 COM1 、 COM3 、 Auto (自动) 和 Off (关闭)。 串行端口 2 的选项是 COM2 、 COM4 、 Auto (自动) 和 Off (关闭)。 串行端口 1 或 2 设置为 Auto (自动) 时, 集成端口将自动映射至下一个可用端口。串行端口 1 将首先尝试使用 COM1 , 然后尝试使用 COM3 。串行端口 2 将首先尝试使用 COM2 , 然后尝试使用 COM4 。如果两个地址均被某个特定端口占用, 则此端口将被禁用。 如果将串行端口设置为 Auto (自动), 并且添加了将端口配置为相同指定值的扩充卡, 则系统会自动将集成端口重新映射至下一个共享相同 IRQ 设置的可用端口指定值。
PS/2 Mouse Port (PS/2 鼠标端口) (默认设置为 On (开启))	启用或禁用集成的 PS/2 兼容鼠标控制器。 Off (关闭) 禁用控制器。 On (开启) 启用控制器。

表 1-5. 性能选项

选项	说明
Hyper-Threading (超线程技术) (默认设置为 On (开启))	决定物理处理器显示为一个还是两个逻辑处理器。安装更多的逻辑处理器会提高某些应用程序的性能。On (开启) 启用超线程技术。Off (关闭) 禁用超线程技术。
HDD Acoustic Mode (HDD 声音模式) (默认设置为 Performance (性能))	允许您根据个人喜好优化 SATA 或 PATA 驱动器性能和噪音等级。Bypass (绕过) 用于较早的驱动器。Quiet (安静) 会降低驱动器的性能, 但是可以减少驱动器噪音。Suggested (推荐) 将性能调整到制造商首选的模式。Performance (性能) 会提高驱动器性能, 但是会增加驱动器噪音。

表 1-6. 安全保护选项

选项	说明
Admin Password (Admin 密码) (默认设置为 Not Set (未设置))	显示“系统设置”程序的密码安全保护功能的当前状态, 并使您可以确认和指定新的 admin 密码。 注 有关指定 Admin 密码和使用或更改现有 Admin 密码的说明, 请参阅《用户指南》中的“使用 Admin 密码”。
System Password (系统密码) (默认设置为 Not Set (未设置))	显示系统密码安全保护功能的当前状态, 并使您可以确认和设定新的系统密码。 注 有关指定系统密码和使用或更改现有系统密码的说明, 请参阅《用户指南》中的“使用系统密码”。
Password Changes (密码更改) (默认设置为 Unlocked (未锁定))	决定系统密码和设置密码之间的相互作用。Locked (锁定) 禁止拥有有效设置密码的用户更改系统密码。Unlocked (未锁定) 允许拥有有效设置密码的用户更改系统密码。
Chassis Intrusion (机箱防盗) (默认设置为 On-Silent (启动-安静))	启用或禁用机箱防盗检测功能。设置为 On-Silent (启动-安静) 时, 将在启动期间检测机箱防盗, 但不报告警告信息。设置为 On (启动) 时, 如果卸下机箱盖, 此字段将显示 DETECTED (已检测到)。按下任意编辑键确认侵入, 并支持系统查找其他安全受侵事件。Off (关闭) 禁用机箱防盗检测功能。
Intrusion Alert (侵入报警)	按下 <Enter> 键确认侵入, 并支持系统查找其他安全受侵事件。

表 1-6. 安全保护选项 (续)

选项	说明
Execute Disable (执行禁止) (默认设置为 On [打开])	Execute Disable (XD, 执行禁止) 是一种新的安全保护功能, 当与支持的操作系统或应用程序组合使用时, 可防止代码在某些内存区执行。可以防范利用缓冲区溢出进行攻击的病毒。 Execute Disable (执行禁止) 有两种设置: On (打开) 和 Off (关闭)。On (打开) 表示 Execute Disable (执行禁止) 内存保护技术处于打开状态。Off (关闭) 表示 Execute Disable (执行禁止) 内存保护技术处于关闭状态。

表 1-7. 电源管理选项

选项	说明
AC Recovery (AC 恢复) (默认设置为 Last (上一次))	决定断电后恢复 AC 电源时的系统响应方式。Off (关闭) 命令系统在恢复电源时不开机。您必须按下前面板上的电源按钮才能启动系统。On (启动) 命令系统在恢复电源时开机。Last (上一次) 命令系统恢复成断电前系统上一次所处的的电源状态。
Auto Power On (自动开机) (默认设置为 Off (关闭))	决定什么时候使用 Auto Power Time (自动通电时间) 设置来启动系统。Off (关闭) 命令系统不使用 Auto Power Time (自动通电时间) 功能。Everyday (每天) 根据 Auto Power Time (自动通电时间) 中设定的时间每天打开系统。Weekdays (工作日) 根据 Auto Power Time (自动通电时间) 中设定的时间在周一到周五打开系统。
Auto Power Time (自动通电时间)	决定您希望系统启动的时间。
Low Power Mode (低能耗模式) (默认设置为 Off (关闭))	On (开启) 通过减少大多数硬件功能的功率来节省更多电力。 Off (关闭) 节省较少电力, 并且减少少数硬件功能的功率。
Remote Wake Up (远程唤醒) (默认设置为 Off (关闭))	决定如何在远程将系统从 Suspend (挂起)、Hibernate (休眠) 或 Off (关闭) 状态中启动。Off (关闭) 禁止 NIC 唤醒系统。On (启动) 允许 NIC 唤醒系统。On w/ Boot to NIC (启用唤醒并引导到 NIC) 允许 NIC 唤醒系统并通过网络引导。 如果您希望系统执行 Remote Wake Up (远程唤醒), 则必须先将 Low Power Mode (低能耗模式) 设置为 Off (关闭)。

表 1-8. 维护选项

选项	说明
Load Defaults (载入默认值)	允许您将所有系统设置选项恢复成出厂时的默认设置。
Event Log (事件日志)	允许您查看 Event Log (事件日志)。条目标有 R 或 U ，分别代表已读或未读。 Mark All Entries Read (将所有条目标记为已读) 在所有条目的左边设置 R 标记。 Clear Log (清除日志) 将清除事件日志。

表 1-9. POST 行为选项

选项	说明
Fast Boot (快速引导) (默认设置为 On (开启))	启用这个功能时，将跳过一些兼容性步骤，从而缩短系统启动时间。 Off (关闭) 不会在系统启动期间跳过任何步骤。 On (开启) 可更快的启动系统。
Numlock Key (Numlock 键) (默认设置为 On (开启))	决定键盘右侧的数字键的功能。 Off (关闭) 命令右侧小键盘上的键作为箭头使用。 On (开启) 命令右侧小键盘上的键作为数字使用。
Post Hotkeys (Post 热键) (默认设置为 Setup and Boot Menu (设置和引导菜单))	决定启动屏幕是否显示一条信息，声明进入设置程序或 Quickboot 功能前需要的按键序列。 Setup & Boot Menu (设置和引导菜单) 显示两条信息 (F2=Setup 和 F12=Boot Menu)。 Setup (设置) 只显示设置信息 (F2=Setup)。 Boot Menu (引导菜单) 只显示 Quickboot 信息 (F12=Boot Menu)。 None (无) 不显示信息。
Keyboard Errors (键盘错误) (默认设置为 Report (报告))	设置为 Report (报告) (启用) 并且在 POST 期间检测到错误时，BIOS 将显示错误信息并提示您按 <F1> 键继续，或者按 <F2> 键进入“系统设置”。 设置为 Do Not Report (不报告) (禁用) 且在 POST 期间检测到错误时，BIOS 将显示错误信息并继续引导系统。

设定系统密码

在设定系统密码之前，请进入“系统设置”程序并选中 **System Password**（系统密码选项）。

设定系统密码后，**System Password**（系统密码）选项的设置将显示为 **Set**（已设置）。如果 **Password Changes**（密码更改）的设置显示为 **Unlocked**（未锁定），则可以更改系统密码。如果 **Password Changes**（密码更改）选项的设置为 **Locked**（锁定），则不能更改系统密码。通过跳线设置禁用了系统密码功能的时候，系统密码被禁用，您不能更改或者输入新的系统密码。

未指定系统密码且系统主板上的密码跳线处于启用（默认）位置时，系统密码选项的设置显示为 **Not Set**（未设置），**Password Changes**（密码更改）字段是 **Unlocked**（未锁定）。


要指定系统密码

- 1 检查 **Password Changes**（密码更改）选项是否设置为 **Unlocked**（未锁定）。
- 2 突出显示 **System Password**（系统密码）选项并按 <Enter 键 >。
- 3 输入新的系统密码。

密码最多可以包含 32 个字符。


按下每个字符键（或按空格键输入空格）时，此字段中均会显示一个占位符。

密码不区分大小写。但是，某些组合键无效。如果您输入这些组合键，计算机将会发出哔声。要在输入密码时删除字符，请按 <Backspace> 键或左箭头键。

 **注：**要退出此字段而不设定系统密码，请按 <Enter> 键移至另一字段，或者在完成步骤 5 之前随时按 <Esc> 键。

- 4 按 <Enter> 键。
- 5 要确认密码，请再次键入密码并按 <Enter> 键。
System Password（系统密码）的设置显示更改为 **Set**（已设置）。
- 6 保存并退出系统设置程序并开始使用系统。

使用系统密码保护您的系统

 **注：**如果您已设置 Admin 密码（请参阅《用户指南》中的“使用 Admin 密码”），系统会将您的 Admin 密码视为另一个系统密码。

当 **Password Changes**（密码更改）选项设置为 **Unlocked**（未锁定）时，您可以选择继续启用密码安全保护，也可以禁用密码安全保护。

要继续启用密码安全保护，请执行以下操作


- 1 打开系统或者按 <Ctrl><Alt> 组合键重新引导系统。
- 2 键入密码并按 <Enter> 键。

当 **Password Changes**（密码更改）选项设置为 **Locked**（锁定）时，您每次打开系统或者按 <Ctrl><Alt> 组合键重新引导系统的时候，请在出现提示时键入您的密码并按 <Enter> 键。

键入正确的系统密码并按 <Enter> 键后，您的系统会正常运行。

如果键入的系统密码不正确，则系统会显示一条信息并提示您重新输入密码。您有三次机会来输入正确的密码。如果三次都不成功，系统会显示一条错误信息，表明尝试失败次数并且表明系统已中止并将关闭。此信息警告您，未经授权者曾尝试使用您的系统。


即使您关闭系统并重新启动后，仍会继续显示这条错误信息，直到您输入正确的密码为止。

 **注** 您可以使用 **Password Changes**（密码更改）选项和 **System Password**（系统密码）及 **Admin Password**（Admin 密码）选项来进一步保护您的系统不会受到未经授权的更改。


在 Admin 密码已设置时进行操作

如果 Admin 密码已设置，您必须先输入正确的 admin 密码，然后才能修改大部分“系统设置”选项。启动系统设置程序时，您必须在 **Unlock Setup**（解锁设置）选项中输入密码。

如果您三次输入的密码均不正确，系统将让您查看但不能修改系统设置程序屏幕。以下情况例外：如果 **System Password**（系统密码）没有设置为 **Set**（已设置），且未通过 **Password Changes**（密码更改）选项锁定，则可以指定一个系统密码（但是您不能禁用或更改现有的系统密码）。

 **注** 您可以使用 **Password Changes**（密码更改）选项和 **Admin Password**（Admin 密码）选项来保护系统密码不会受到未经授权的更改。

有四个硬盘驱动器或一个磁带备份单元的系统

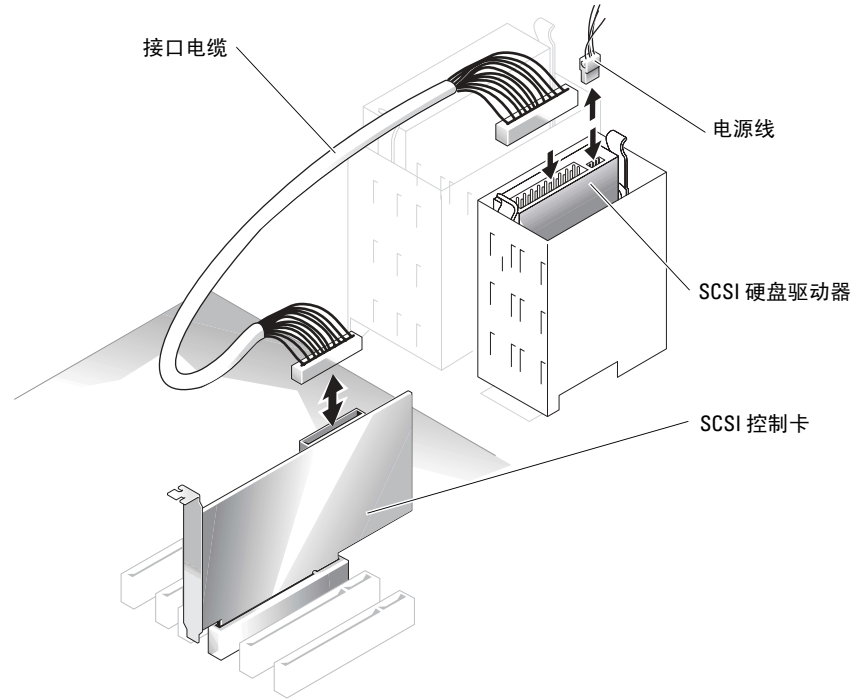
 **注** 请致电 Dell，了解处理器风扇和护罩规格。

如果您的系统包含一个处理器并升级至具有四个硬盘驱动器或一个磁带备份单元的配置，则必须安装第二个处理器风扇和冷却护罩。有关安装处理器风扇和冷却护罩的操作说明，请参阅《安装和故障排除指南》。

安装 SCSI 硬盘驱动器

安装 SCSI 硬盘驱动器时，您必须将驱动器连接到 SCSI 控制卡。请参阅图 1-3。
《安装和故障排除指南》中的安装图例显示的是将驱动器添加到系统主板。

图 1-3. 安装 SCSI 硬盘驱动器



在带有 PCI Express 的系统中丢失内存（“内存孔”）

在包含 PCI Express 插槽和 3.5 GB 或更大 RAM 的系统配置中已经注意到一种情况。操作系统显示的可用 RAM 容量比系统上实际安装的容量小。这种内存差别通常称为“内存孔”，它是由 PCI Express 子系统的要求和系统分配内存的方式所引起的。PCI Express 每次需要 256 MB 整块 RAM 容量。因此，系统最低分配 256 MB 内存供 PCI Express 使用，如果系统包含其它适配器（外围或集成）或系统支持热插拔 PCI Express，分配的内存可能会更大（附加几块 256 MB 内存）。

只有在操作系统级别才能看到内存孔。系统设置程序会正确地报告安装的 RAM。

在编写本文时，已经有一种解决方法，Microsoft 知识库文章 #283037 中报告了这一解决方法，您可以在 Microsoft 的支持网站上获得。只有当系统具有 4 GB 或以上的 RAM 并且操作系统支持物理地址扩展 (PAE) 时，该解决方法才适用。



注意：在操作系统中启用 PAE 之前应该多加小心，因为在某些系统配置下可能会出现许多问题。您应该在 Dell 和 Microsoft 知识库中搜索详细描述这些问题的文章，并采取适当的措施来避免这些问题。

要在 Microsoft Windows 2000 和 2003 中启用 PAE，请将 /PAE 开关添加到 `boot.ini` 文件中对应于 Windows 操作系统的那一行。对于其它操作系统，请参考您的说明文件或操作系统支持网站，了解有关 PAE 支持的信息。

Systemes Dell™
PowerEdge™ *SC*1420

Mise à jour des informations

Remarques et avertissements



REMARQUE : une REMARQUE indique des informations importantes qui vous permettent de mieux utiliser votre ordinateur.



AVIS : un AVIS vous avertit d'un dommage ou d'une perte de données potentiels et vous indique comment éviter ce problème.



PRÉCAUTION : une PRÉCAUTION indique un risque potentiel d'endommagement du matériel, de blessure corporelle ou de mort.

Abréviations et sigles

Pour obtenir une liste complète des abréviations et des acronymes, reportez-vous au glossaire du *Guide d'utilisation*.

Les informations contenues dans ce document peuvent être modifiées sans préavis.

© 2004 Dell Inc. Tous droits réservés.

La reproduction de ce document de quelque manière que ce soit sans l'autorisation écrite de Dell Inc. est strictement interdite.

Marques utilisées dans ce document : *Dell*, le logo *DELL* et *PowerEdge* sont des marques de Dell Inc. ; *Microsoft* et *Windows* sont des marques déposées de Microsoft Corporation ; *Red Hat* est une marque déposée de Red Hat, Inc.

Tous les autres noms de marques et marques commerciales utilisés dans ce document se rapportent aux sociétés propriétaires des marques et des noms de ces produits. Dell Inc. décline tout intérêt dans l'utilisation des marques déposées et des noms de marques ne lui appartenant pas.

Sommaire

Installation de Microsoft Windows Small Business Server 2003	41
Installation de Red Hat Enterprise Linux ES (version 3)	41
Ventilateur et carénage de refroidissement de la mémoire	42
Installation du ventilateur et du carénage de refroidissement de la mémoire.	42
Messages d'erreur système	43
Options du programme de configuration du système.	44
Écran principal	44
Attribution d'un mot de passe système	52
Protection de l'ordinateur à l'aide d'un mot de passe système	53
Fonctionnement du système avec un mot de passe administrateur	53
Systèmes équipés de quatre disques durs ou d'une unité de sauvegarde sur bande	54
Installation de disques durs SCSI.	54
"Trou de mémoire" affectant les systèmes dotés de composants PCI Express	55

Figures

Figure 1-1.	Installation du ventilateur et du carénage de refroidissement de la mémoire	42
Figure 1-2.	Écran principal du programme de configuration du système	44
Figure 1-3.	Installation de disques durs SCSI	54

Tableaux

Tableau 1-1.	Messages du système	43
Tableau 1-2.	Options du menu System (Système)	45
Tableau 1-3.	Options du menu Drive (Lecteurs)	46
Tableau 1-4.	Options du menu Onboard Devices (Périphériques intégrés)	46
Tableau 1-5.	Options du menu Performance	48
Tableau 1-6.	Options du menu Security (Sécurité)	48
Tableau 1-7.	Options du menu Power Management (Gestion de l'alimentation)	49
Tableau 1-8.	Options du menu Maintenance	50
Tableau 1-9.	Options du menu POST Behavior (Options d'exécution de l'autotest à la mise sous tension)	51

Ce document contient des informations mises à jour portant sur les sujets suivants :

- Installation de Microsoft® Windows® Small Business Server 2003
- Installation de Red Hat® Enterprise Linux ES (version 3)
- Ventilateur et carénage de refroidissement de la mémoire
- Messages d'erreur du système
- Options du programme de configuration du système
- Fonction de désactivation de l'exécution (Options du programme de configuration du système/Options de sécurité)
- Attribution d'un mot de passe système
- Fonctionnement avec un mot de passe administrateur défini
- Systèmes équipés de quatre disques durs ou d'une unité de sauvegarde sur bande
- Installation de disques durs SCSI
- “Trou de mémoire” affectant les systèmes dotés de composants PCI Express

Installation de Microsoft Windows Small Business Server 2003

Si vous installez Microsoft Windows Small Business Server 2003 sur un système Dell™ PowerEdge™ SC1420, il est possible que le processus d'installation semble stagner une fois arrivé au stade où Windows indique qu'il procède à l'enregistrement des composants (à environ 13 minutes de la fin de l'installation). À ce stade de l'installation, Windows installe des mises à jour de sécurité et des correctifs, ce qui peut prendre beaucoup plus de temps que le délai estimatif indiqué par le système. Lors de cette phase, vous devez laisser l'installation se terminer sans effectuer aucune opération. Les tests conduits par Dell ont démontré que le délai nécessaire peut varier de 5 à 45 minutes, selon la configuration matérielle du système. Ce comportement est décrit dans l'article 839492 de la Base de connaissances Microsoft.

Installation de Red Hat Enterprise Linux ES (version 3)

Avant d'installer Linux sur votre système, accédez au menu **Drives** (Lecteurs) du programme de configuration du système et faites passer la valeur de l'option **SATA Operation** (Fonctionnement SATA) à **RAID Off** (RAID désactivé).

Ventilateur et carénage de refroidissement de la mémoire

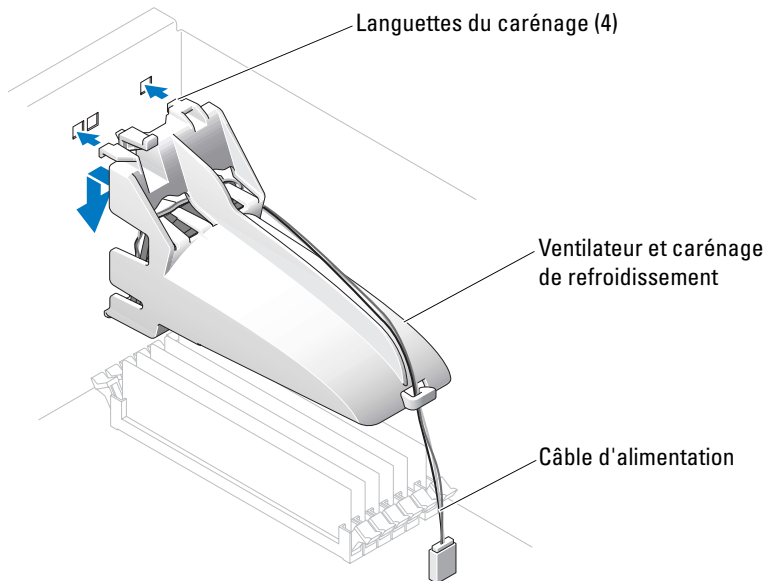
AVIS : si vous installez plus de 4 Go de mémoire, vous devez aussi installer le ventilateur et le carénage de refroidissement appropriés, de façon à éviter une surchauffe des modules de mémoire. Dans le cas contraire, vous recevrez un message d'erreur vous demandant d'installer un ventilateur ou de retirer des modules de mémoire.

Installation du ventilateur et du carénage de refroidissement de la mémoire

PRÉCAUTION : consultez le *Guide d'informations sur le système* pour obtenir des informations détaillées sur les consignes de sécurité, les interventions dans l'ordinateur et la protection contre les décharges électrostatiques.

- 1 Éteignez le système et les périphériques connectés, puis débranchez-le de la prise de courant.
- 2 Ouvrez le système.
- 3 Alignez les languettes du ventilateur et du carénage avec les trous situés dans le panneau arrière du système. Voir la figure 1-1.

Figure 1-1. Installation du ventilateur et du carénage de refroidissement de la mémoire



- 4 Insérez les languettes et abaissez le ventilateur et le carénage jusqu'à ce qu'ils s'enclenchent en place.
- 5 Connectez le câble d'alimentation du ventilateur et du carénage à la carte système. Voir la figure 1-1.
- 6 Refermez le système.
- 7 Connectez le système à sa source d'alimentation électrique, puis mettez-le sous tension.

Messages d'erreur système

Le tableau 1-1 répertorie les messages d'erreur qui ont été ajoutés à l'autotest à la mise sous tension (POST).

Tableau 1-1. Messages du système

Message	Causes	Actions correctrices
Alert! Memory fan has failed or is not present. A memory fan is required for the current memory configuration. Please see the documentation that came with your computer for more information.	Plus de 4 Go de mémoire système ont été installés en l'absence du ventilateur de mémoire obligatoire.	Installez ou remettez en place le ventilateur et le carénage de refroidissement de la mémoire.
Alert! Operating in debug mode. Please populate memory in pairs for normal operation.	Un seul module de mémoire d'une capacité supérieure à 256 Mo est installé dans le connecteur DIMM_1.	Ce message d'erreur s'affiche lors des procédures de dépannage des modules de mémoire. Après avoir terminé ces procédures, installez des paires de modules identiques dans les emplacements de mémoire. Consultez les sections "Dépannage de la mémoire système" et "Consignes d'installation des modules de mémoire", dans le <i>Guide d'installation et de dépannage</i> .
Alert! Unable to initialize fan controller.	Carte système défectueuse.	Consultez le chapitre "Obtention d'aide" dans le <i>Guide d'installation et de dépannage</i> .
Error! Memory configured incorrectly Please enter Setup for Memory Info details.	Les modules de mémoire sont installés de façon incorrecte.	Consultez la section "Consignes d'installation de la mémoire" dans le <i>Guide d'installation et de dépannage</i> .

Options du programme de configuration du système

Écran principal

La figure 1-2 représente l'écran principal du programme.

Figure 1-2. Écran principal du programme de configuration du système

System		Diskette Drive			
System Info CPU Info Memory Info Date/Time Boot Sequence		Off	USB	Internal	Read Only
Drives Diskette Drive Drive 0: SATA-0 Drive 1: SATA-1 Drive 2: DATA-0 Drive 3: DATA-1 Drive 4: DATA-2 Drive 5: DATA-3 SATA Operation SMART Reporting		This field determines how the floppy drive operates.			
Onboard Devices Integrated NIC LPT Port Mode LPT Port Address Serial Port #1 Serial Port #2 USB PS/2 Mouse Port		Off	= All floppy drives are disabled.		
Performance Hyper-Threading HDD Acoustic Mode		USB	= The internal floppy drive is disabled. If the USB controller is enabled and a USB floppy exists it will be bootable.		
Security Admin password System password		Internal	= The internal floppy drive is enabled.		
		Read Only	= The internal floppy drive is enabled and only allows reads.		
		The factory default setting is Internal.			
		Use ENTER to modify this selection Use Up/Down arrows to select a different field Use ESC key to exit this program Use +/- keys to expand or collapse a group			

Les tableaux 1-2 à 1-9 répertorient et décrivent les options disponibles dans chaque groupe de champs d'information de l'écran principal.



REMARQUE : les valeurs par défaut du programme de configuration du système sont répertoriées sous le paramètre correspondant, le cas échéant.

Tableau 1-2. Options du menu System (Système)

Option	Description
System Info (Informations sur le système)	Affiche les paramètres suivants : System Name (Nom du système), BIOS Version (Numéro de version du BIOS), BIOS Date (Date du BIOS), Service Tag , Express Service Code et Asset Tag (Numéro de service, Code de service express et Numéro d'inventaire).
CPU Info (Informations sur le processeur)	Affiche les informations suivantes pour chaque processeur installé : Processor Type (Type de processeur), Processor Clock Speed (Vitesse d'horloge du processeur), Processor Bus Speed (Vitesse du bus du processeur), Processor Cache Size (Taille du cache), Processor ID number (ID du processeur) et prise en charge des technologies 64 bits .
Memory Info (Informations sur la mémoire)	Affiche les paramètres suivants : Installed Memory (Mémoire installée), Memory Speed (Vitesse de la mémoire), Memory Channel Mode (Mode du canal) et Memory Technology (Technologie mémoire). Cette option affiche également un tableau indiquant la taille de la mémoire et diverses informations : prise en charge de la technologie ECC, type, architecture, nombre de rangées de connexions (1 ou 2).
Date/Time (Date/Heure)	Réinitialise le calendrier et l'horloge internes du système.
Boot Sequence (Séquence d'amorçage)	Détermine l'ordre dans lequel le système recherche les périphériques d'amorçage pendant le démarrage du système. Les options disponibles sont le lecteur de disquette, le lecteur de CD, les disques durs et le réseau.
Diskette drive (Lecteur de disquette, option par défaut)	

Tableau 1-3. Options du menu Drive (Lecteurs)

Option	Description
Diskette Drive (Lecteur de disquette) Internal (Interne, option par défaut)	Active et désactive les lecteurs de disquette, et définit les autorisations de lecture du lecteur de disquette intégré. Off (Désactivé) désactive tous les lecteurs de disquette. L'option USB désactive le lecteur de disquette interne et active le périphérique USB éventuellement connecté, à condition que le contrôleur USB soit activé. Internal (Interne) active le lecteur de disquette interne. L'option Read Only (Lecture seule) active le contrôleur interne du lecteur et définit l'autorisation lecture seule (Read-Only) du lecteur de disquette interne. REMARQUE : les lecteurs de disquette sont disponibles en option ; votre système n'en comporte peut-être aucun.
Drive (0-5) (Lecteur, 0-5) On (Activé, option par défaut)	Active ou désactive un périphérique PATA ou SATA (disque dur, lecteur de CD ou de DVD). L'option Off désactive l'interface. Le périphérique ne peut alors pas être utilisé. L'option On active l'interface. Le périphérique peut être utilisé. Affiche le type de contrôleur (PATA ou SATA), le numéro de port utilisé par le lecteur, l' ID du lecteur, sa capacité , et indique si le lecteur est contrôlé par le BIOS. REMARQUE : les lecteurs 0 et 1 sont réservés aux unités SATA, et les lecteurs 2 à 5 aux unités PATA ou IDE.
SATA Operation (Fonctionnement SATA) RAID On (RAID activé, option par défaut)	Définit le mode de fonctionnement du contrôleur SATA intégré. RAID On active le support RAID. RAID Off désactive le support RAID. AVIS : si vous utilisez une carte contrôleur d'extension SCSI RAID, sélectionnez RAID Off .
SMART Reporting (Signaler les erreurs SMART) Off (Désactivé, option par défaut)	Indique si les erreurs liées aux disques durs internes doivent être affichées au démarrage du système. Off désactive l'affichage des erreurs. On permet de les afficher.

Tableau 1-4. Options du menu Onboard Devices (Périphériques intégrés)

Option	Description
Integrated NIC (Contrôleur réseau intégré) On (Activé, option par défaut)	Active ou désactive le contrôleur réseau intégré. Off désactive le contrôleur. On active le contrôleur. REMARQUE : les fonctions PXE ou RPL sont requises uniquement si vous démarrez un système d'exploitation sur une autre machine : elles ne sont pas utiles si vous démarrez le système d'exploitation présent sur un disque dur de votre système.

Tableau 1-4. Options du menu Onboard Devices (Périphériques intégrés) (suite)

Option	Description
USB On (Activé, option par défaut)	Active ou désactive le contrôleur USB intégré du système. Off désactive le contrôleur. On active le contrôleur. No Boot (Pas d'amorçage) permet d'activer le contrôleur mais désactive la fonction de démarrage à partir d'un périphérique USB.
LPT Port Mode (Mode du port LPT) PS/2 (option par défaut)	Détermine le mode de fonctionnement du port parallèle interne. Off désactive le port. AT configure le port pour le rendre compatible avec les systèmes IBM AT. PS/2 configure le port pour le rendre compatible avec les systèmes IBM PS/2. EPP configure le port pour la prise en charge du protocole EPP bidirectionnel. ECP configure le port pour la prise en charge du protocole ECP bidirectionnel. Si vous activez l'option ECP pour le paramètre LPT Port Mode , l'option LPT Port DMA (DMA port LPT) s'ajoute au menu.
LPT Port Address (Adresse du port LPT) 378 (option par défaut)	Détermine l'adresse utilisée par le port parallèle intégré.
Serial Port (#1 ou #2) (Port série, 1 ou 2) Auto (option par défaut)	Les options disponibles pour Serial Port 1 (Port série 1) sont : Auto (option par défaut), COM1 , COM3 et Off (Désactivé). Les options disponibles pour Serial Port 2 (Port série 2) sont : Auto (option par défaut), COM2 , COM4 et Off (Désactivé). Si le port série 1 ou 2 est défini sur Auto , le port intégré est adressé automatiquement au port disponible suivant. Le port série 1 tente d'abord d'utiliser COM1 puis COM3 . Le port série 2 tente d'abord d'utiliser COM2 puis COM4 . Si les adresses sont utilisées par un port particulier, le port est désactivé. Si vous définissez le port série sur Auto et que vous ajoutez une carte d'extension dotée d'un port configuré avec la même désignation, le système transfère automatiquement le port intégré sur la prochaine désignation de port partageant le même IRQ.
PS/2 Mouse Port (Port de souris PS/2) On (Activé, option par défaut)	Active ou désactive le contrôleur intégré pour souris PS/2. Off désactive le contrôleur. On active le contrôleur.

Tableau 1-5. Options du menu Performance

Option	Description
Hyper-Threading On (Activé, option par défaut)	Détermine si le processeur physique apparaît comme un ou deux processeurs logiques. Certaines applications présentent de meilleures performances lorsque plusieurs processeurs logiques sont installés. L'option On active l'Hyper-Threading et l'option Off le désactive.
HDD Acoustic Mode (Mode acoustique du disque dur) Performance (option par défaut)	Permet d'optimiser les performances du lecteur SATA ou PATA et d'ajuster le niveau sonore à vos préférences personnelles. Bypass (Ignorer) est utilisé pour les lecteurs plus anciens. Quiet (Silencieux) ralentit les performances mais réduit le bruit du lecteur. Suggested (Conseillé) règle les performances sur le mode préféré du constructeur. Performance permet d'améliorer les performances, mais le fonctionnement du lecteur risque d'être plus bruyant.

Tableau 1-6. Options du menu Security (Sécurité)

Option	Description
Admin Password (Mot de passe administrateur) Not Set (Non défini, option par défaut)	Affiche l'état de la fonction de protection par mot de passe du programme de configuration et permet de vérifier et d'affecter un nouveau mot de passe administrateur. REMARQUE : consultez la section "Utilisation du mot de passe administrateur" dans votre Guide d'utilisation pour obtenir des instructions sur l'attribution, l'utilisation ou la modification d'un mot de passe administrateur.
System Password (Mot de passe système) Not Set (Non défini, option par défaut)	Affiche l'état actuel de la fonction de protection par mot de passe et permet d'attribuer et de vérifier un nouveau mot de passe système. REMARQUE : consultez la section "Utilisation du mot de passe administrateur" dans votre Guide d'utilisation pour obtenir des instructions sur l'attribution, l'utilisation ou la modification d'un mot de passe administrateur.
Password Changes (Modifications du mot de passe) Unlocked (Non verrouillé, option par défaut)	Détermine l'interaction entre le mot de passe système et le mode de passe administrateur. L'option Locked (Verrouillé) permet d'empêcher qu'un utilisateur possédant un mot de passe administrateur puisse modifier le mot de passe d'accès au système. L'option Unlocked (Déverrouillé) permet aux utilisateurs possédant un mot de passe administrateur de modifier le mot de passe d'accès au système.

Tableau 1-6. Options du menu Security (Sécurité) (suite)

Option	Description
Chassis Intrusion (Intrusion dans le châssis) On-Silent (Activé/Silencieux, option par défaut)	Active ou désactive la fonction de détection d'intrusion dans le châssis. Lorsque l'option On-Silent (Activé/Silencieux) est sélectionnée, les intrusions dans le châssis sont détectées, mais aucun message d'avertissement ne s'affiche au démarrage du système. Lorsque l'option On (Activé) est sélectionnée, le message DETECTED s'affiche si le système détecte que le châssis a été ouvert. Le fait d'appuyer sur une touche permet de reconnaître l'intrusion et déclenche la détection d'autres ruptures de sécurité. L'option Off désactive la fonction de détection d'intrusion dans le châssis.
Intrusion Alert (Alerte d'intrusion)	Le fait d'appuyer sur <Entrée> permet de reconnaître l'intrusion et déclenche la détection d'autres ruptures de sécurité.
Execute Disable Désactiver l'exécution (On (Activé), option par défaut))	La désactivation de l'exécution (Execute Disable, XD) est une nouvelle fonctionnalité de sécurité qui empêche l'exécution de code dans certaines parties de la mémoire lorsque ces dernières sont associées à la prise en charge d'un système d'exploitation ou d'une application. Execute Disable peut aider à lutter contre une catégorie de virus qui utilisent les attaques par dépassement de tampon. Les paramètres d'Execute Disable sont On (Activé) et Off (Désactivé). On indique que la technologie de protection de la mémoire "Execute Disable" est activée. Off indique que la technologie de protection de la mémoire "Execute Disable" est désactivée.

Tableau 1-7. Options du menu Power Management (Gestion de l'alimentation)

Option	Description
AC Recovery (Rétablissement de l'alimentation en CA) Last (Dernier, option par défaut)	Détermine la façon dont le système doit réagir lorsque l'alimentation en CA est rétablie après une coupure. Si l'option Off (Désactivé) est sélectionnée, le système reste éteint lorsque le courant revient. Pour le remettre sous tension, vous devez appuyer sur le bouton d'alimentation du panneau avant. Si l'option On (Activé) est sélectionnée, le système redémarre lorsque le courant revient. L'option Last (Dernier) indique que le système doit revenir au dernier état connu avant la coupure d'alimentation.
Auto Power On (Mise sous tension automatique) Off (Désactivé, option par défaut)	Détermine les moments où l'option Auto Power Time (Heure de mise sous tension automatique) doit être utilisée pour mettre le système sous tension. L'option Off (Désactivé) indique au système que l'option Auto Power Time ne doit pas être utilisée. L'option Everyday (Tous les jours) met le système sous tension tous les jours à l'heure définie dans le champ Auto Power Time . L'option Weekdays (Jours ouvrés) met le système sous tension du lundi au vendredi, à l'heure définie dans le champ Auto Power Time .

Tableau 1-7. Options du menu Power Management (Gestion de l'alimentation) (suite)

Option	Description
Auto Power Time (Heure de mise sous tension automatique)	Détermine l'heure à laquelle le système doit être mis sous tension.
Low Power Mode (Mode d'économie d'énergie) Off (Désactivé, option par défaut)	On (Activé) permet d'économiser de l'énergie en coupant l'alimentation de certaines fonctions matérielles. Off permet d'économiser moins d'énergie mais coupe l'alimentation d'un moins grand nombre de fonctions matérielles.
Remote Wake Up (Mise sous tension à distance) Off (Désactivé, option par défaut)	Détermine la façon dont le système est mis sous tension à distance lorsqu'il se trouve en mode suspension , veille prolongée ou hors tension . Si l'option Off (Désactivé) est sélectionnée, la carte réseau ne peut pas redémarrer le système à distance. Si l'option On (Activé) est sélectionnée, la carte réseau peut effectuer un démarrage à distance du système. L'option On w/ Boot to NIC (Activé avec amorçage via la carte réseau) permet à la carte réseau de remettre le système en marche et de le démarrer à partir du réseau. Pour pouvoir effectuer un réveil à distance , vous devez d'abord avoir sélectionné l'option Off (Désactivé) pour le paramètre Low Power Mode (Mode d'économie d'énergie).

Tableau 1-8. Options du menu Maintenance

Option	Description
Load Defaults (Charger les paramètres par défaut)	Permet de rétablir toutes les options par défaut du programme de configuration du système.
Event Log (Journal des événements)	Permet de visualiser les entrées du journal des événements . Les entrées sont accompagnées d'un R pour Read (Lue) ou d'un U pour Unread (Non lue). L'option Mark All Entries Read (Marquer toutes les entrées comme lues) permet d'afficher un R en regard de toutes les entrées. Clear Log (Effacer le journal) permet d'effacer le journal des événements.

**Tableau 1-9. Options du menu POST Behavior
(Options d'exécution de l'autotest à la mise sous tension)**

Option	Description
Fast Boot (Amorçage rapide) On (Activé, option par défaut)	Lorsque cette fonction est activée, le système démarre plus rapidement car il ignore certaines étapes de compatibilité. Avec l'option Off , aucune étape n'est ignorée au démarrage du système. L'option On accélère le processus de démarrage.
Numlock Key (Touche VerrNum) On (Activé, option par défaut)	Détermine le comportement des touches du pavé numérique situé à droite du clavier. Avec l'option Off , la fonction numérique est désactivée et les touches commandent uniquement le déplacement du curseur. Avec l'option On , les touches du pavé numérique permettent de taper des chiffres.
POST Hotkeys (Raccourcis POST) Setup and Boot Menu (Configuration et menu de démarrage, option par défaut)	Détermine si l'écran de démarrage affiche un message indiquant la séquence de touches requise pour accéder au programme Setup (Configuration) ou à la fonction Quickboot (Amorçage rapide). L'option Setup & Boot Menu (Configuration et menu de démarrage) affiche les deux messages (F2=Setup et F12=Boot Menu). L'option Setup affiche uniquement le message concernant l'accès au programme de configuration (F2=Setup). L'option Boot Menu (Menu de démarrage) affiche uniquement le message concernant l'accès à la fonction Quickboot (Amorçage rapide), c'est à dire F12=Boot Menu. L'option None (Aucun) permet de n'afficher aucun message.
Keyboard Errors (Erreurs de clavier) Report (Signaler, option par défaut)	Si l'option Report (Signaler) est activée et qu'une erreur est détectée pendant le POST, le BIOS affiche le message d'erreur et vous invite à appuyer sur <F1> pour continuer ou sur <F2> pour accéder au programme de configuration du système. Si l'option Do Not Report (Ne pas signaler) est activée, le BIOS affiche le message d'erreur mais continue à s'exécuter.

Attribution d'un mot de passe système

Avant d'attribuer un mot de passe système, accédez au programme de configuration du système et vérifiez l'option **System Password** (Mot de passe système).


Si un mot de passe système est attribué, le paramètre **System Password** a la valeur **Set** (Défini). Si **Password Changes** (Modifications du mot de passe) indique **Unlocked** (Déverrouillé), vous pouvez modifier le mot de passe système. En revanche, l'option **Locked** (Verrouillé) indique que vous ne pouvez pas modifier le mot de passe système. Si le mot de passe système est désactivé par la position d'un cavalier, l'état est **Disabled** (Désactivé) : il est alors impossible d'entrer ce mot de passe et de le modifier.

Si aucun mot de passe système n'est attribué et que le cavalier de mot de passe de la carte système est activé (réglage par défaut), le paramètre **System Password** (Mot de passe système) a la valeur **Not Set** (Non défini) et le champ **Password Changes** (Modifications du mot de passe) indique **Unlocked** (Déverrouillé). Pour attribuer un mot de passe système :

- 1 Vérifiez que l'option **Password Changes** (Modifications du mot de passe) est sur **Unlocked** (Déverrouillé).
- 2 Sélectionnez l'option **System Password** (Mot de passe système) et appuyez sur <Entrée>.
- 3 Tapez votre nouveau mot de passe système.


Vous pouvez utiliser jusqu'à 32 caractères. Les caractères entrés ne sont pas affichés dans le champ, ils sont remplacés (y compris les espaces) par des caractères génériques.

L'attribution du mot de passe ne tient pas compte de la différence entre majuscules et minuscules. Cependant, certaines combinaisons de touches ne sont pas valides. Si vous entrez une de ces combinaisons, le système émet un signal sonore. Pour supprimer un caractère lors de l'entrée de votre mot de passe, appuyez sur la touche <Retour Arrière> ou sur la touche fléchée vers la gauche.

 **REMARQUE** : pour quitter le champ sans attribuer de mot de passe, appuyez sur <Entrée> pour passer à un autre champ, ou appuyez sur <Échap> à tout moment avant la fin de l'étape 5.

- 4 Appuyez sur <Entrée>.
- 5 Pour confirmer votre mot de passe, tapez-le une seconde fois et appuyez sur <Entrée>. L'option **System Password** (Mot de passe système) passe à **Set** (Défini).
- 6 Sauvegardez, quittez le programme de configuration et commencez à utiliser le système.

Protection de l'ordinateur à l'aide d'un mot de passe système

 **REMARQUE** : si vous avez attribué un mot de passe administrateur (consultez la section "Utilisation du mot de passe administrateur" dans votre *Guide d'utilisation*), le système l'accepte également comme mot de passe système.

Lorsque le paramètre **Password Changes** (Modifications du mot de passe) a la valeur **Unlocked** (Déverrouillé), vous pouvez activer ou désactiver la protection par mot de passe.

Pour laisser la protection par mot de passe activée :


- 1 Démarrez le système ou redémarrez-le en appuyant sur <Ctrl><Alt><Suppr>.
- 2 Tapez le mot de passe et appuyez sur <Entrée>.

Si l'option **Password Changes** (Modifications du mot de passe) est sur **Locked** (Verrouillé) lorsque vous allumez ou redémarrez le système (en appuyant sur <Ctrl><Alt><Suppr>), tapez votre mot de passe et appuyez sur <Entrée> à l'invite du système.

Une fois que vous avez tapé le mot de passe système correct et appuyé sur <Entrée>, le système fonctionne normalement.

Si un mot de passe système incorrect est entré, le système affiche un message et vous invite à entrer de nouveau votre mot de passe. Vous avez trois tentatives pour entrer le mot de passe correct. Après une troisième tentative infructueuse, le système affiche un message indiquant qu'il va s'arrêter. Ce message peut vous alerter du fait qu'une personne a essayé d'utiliser le système à votre insu.


Même si vous avez éteint et redémarré votre système, le message d'erreur continue à s'afficher jusqu'à ce que le bon mot de passe soit entré.

 **REMARQUE** : vous pouvez combiner l'utilisation des paramètres **Password Changes** (Modifications du mot de passe), **System Password** (Mot de passe système) et **Admin Password** (Mot de passe administrateur) pour mieux protéger votre système contre les changements non autorisés.

Fonctionnement du système avec un mot de passe administrateur

Si le paramètre **Admin Password** est activé (**Set**), vous devez entrer le mot de passe administrateur correct pour modifier la plupart des options de configuration du système. Lorsque vous lancez le programme de configuration du système, vous devez entrer le mode de passe à partir de l'option **Unlock Setup** (Déverrouiller la configuration).

Si vous n'entrez pas le bon mot de passe au bout de trois essais, vous pouvez visualiser les écrans de configuration du système mais vous ne pouvez y apporter aucune modification. La seule exception est la suivante : si le paramètre **System Password** n'a pas la valeur **Set** (Défini) et n'est pas verrouillé par l'option **Password Changes** (Modifications du mot de passe), vous pouvez attribuer un mot de passe système. Cependant, vous ne pouvez pas désactiver ni modifier un mot de passe système existant.

 **REMARQUE** : vous pouvez associer l'utilisation des options **Password Changes** et **Admin Password** pour mieux protéger le mot de passe système contre les changements non autorisés.

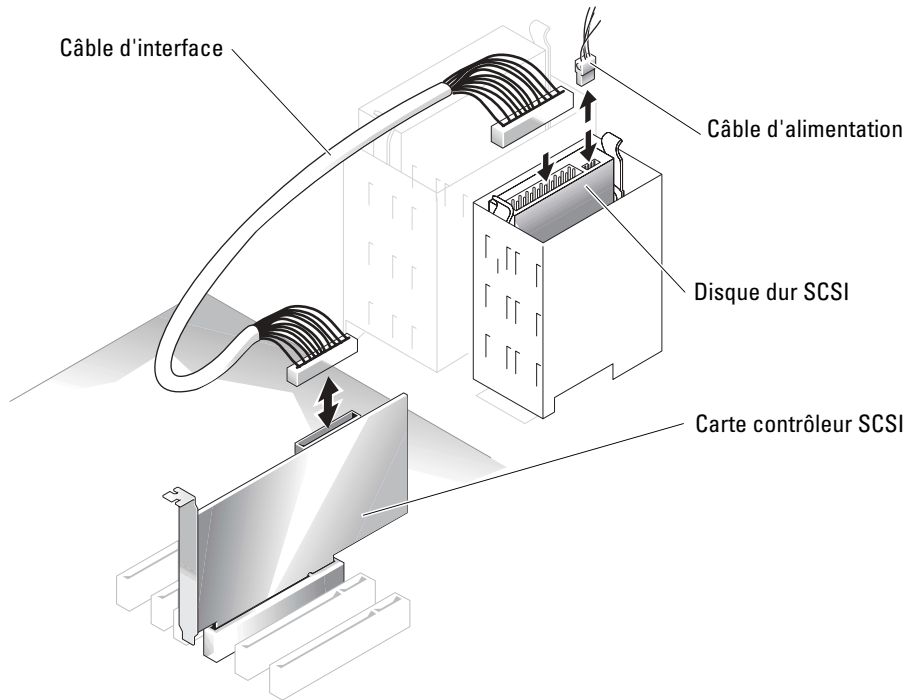
Systèmes équipés de quatre disques durs ou d'une unité de sauvegarde sur bande

Si le système contient un seul processeur et quatre disques durs ou une unité de sauvegarde sur bande, vous devez installer le ventilateur du processeur et le carénage de refroidissement correspondant. Consultez le *Guide d'installation et de dépannage* pour obtenir des instructions.

Installation de disques durs SCSI

Si vous installez des disques durs SCSI, vous devez les relier à une carte contrôleur SCSI. Voir la figure 1-3. Le schéma d'installation qui se trouve dans le *Guide d'installation et de dépannage* montre les lecteurs connectés à la carte système.

Figure 1-3. Installation de disques durs SCSI



“Trou de mémoire” affectant les systèmes dotés de composants PCI Express

Un comportement anormal a été constaté sur les systèmes contenant des logements PCI Express et dotés de 3,5 Go de RAM ou plus. Le système d'exploitation indique une quantité de RAM inférieure à la quantité réellement installée. La différence est appelée “memory hole” ou “trou de mémoire”. Elle est due aux spécifications du sous-système PCI Express et à la façon dont la mémoire est allouée par le système. Le sous-système PCI Express requiert que la RAM soit installée par blocs de 256 Mo. Par conséquent, la quantité de RAM allouée au sous-système PCI Express est au minimum de 256 Mo, voire plus (en blocs supplémentaires de 256 Mo) si le système contient d'autres cartes externes ou intégrées, ou s'il prend en charge l'installation/retrait à chaud de périphériques PCI Express.

Le trou de mémoire n'est visible qu'au niveau du système d'exploitation. Le programme de configuration du système quantifie correctement la RAM installée.

À la création du présent document, une solution de contournement était décrite dans l'article 283037 de la Base de connaissances Microsoft, accessible sur le site de support Microsoft. Cette solution ne s'applique que si le système dispose d'au moins 4 Go de RAM et prend en charge les extensions d'adresses physiques (PAE).



AVIS : agissez avec précaution lors de l'activation de la fonction PAE dans le système d'exploitation, car celle-ci peut générer des problèmes dans certaines configurations. Recherchez les articles décrivant ces problèmes dans les bases de connaissances Dell et Microsoft, et prenez les mesures appropriées pour les éviter.

Pour activer la fonction PAE sous Microsoft Windows 2000 et 2003, ajoutez l'option `/PAE` à la ligne correspondant au système d'exploitation Windows dans le fichier `boot.ini`. Pour plus d'informations sur le support PAE dans les autres systèmes d'exploitation, reportez-vous à la documentation ou au site de support du système d'exploitation approprié.

Dell™ PowerEdge™

*SC*1420-Systeme

Aktuelle Informationen

Anmerkungen, Hinweise und Vorsichtshinweise



ANMERKUNG: Eine ANMERKUNG macht auf wichtige Informationen aufmerksam, die Ihnen die Arbeit mit dem Computer erleichtern.



HINWEIS: Ein HINWEIS warnt vor möglichen Beschädigungen der Hardware oder Datenverlust und zeigt, wie diese vermieden werden können.



VORSICHT: VORSICHT zeigt eine mögliche gefährliche Situation an, die bei Nichtbeachtung zu Sachschäden, Körperverletzungen oder zum Tod führen könnte.

Abkürzungen und Akronyme

Eine vollständige Liste der verwendeten Abkürzungen und Akronyme finden Sie im *Benutzerhandbuch* unter „Glossar“.

Irrtümer und technische Änderungen vorbehalten.

© 2004 Dell Inc. Alle Rechte vorbehalten.

Eine Reproduktion dieses Dokuments in jeglicher Form ohne schriftliche Genehmigung von Dell Inc. ist streng verboten.

Marken in diesem Text: *Dell*, das *DELL* Logo und *PowerEdge* sind Marken von Dell Inc.; *Microsoft* und *Windows* sind eingetragene Marken von Microsoft Corporation; *Red Hat* ist eine eingetragene Marke von Red Hat, Inc.

Andere in diesem Dokument möglicherweise verwendete Marken und Handelsbezeichnungen sind unter Umständen Marken und Namen der entsprechenden Firmen oder ihrer Produkte. Dell Inc. erhebt keinen Anspruch auf Marken und Handelsbezeichnungen mit Ausnahme der eigenen.

Inhalt

Microsoft Windows Small Business Server 2003 installieren	61
Red Hat Enterprise Linux ES (Version 3) installieren	61
Speicherlüfter und -kühlgehäuse	62
Speicherlüfter und -kühlgehäuse installieren.	62
Systemfehlermeldungen	63
Optionen des System-Setup-Programms	64
Hauptfenster	64
Systemkennwort vergeben	72
Systemkennwort zur Systemsicherung verwenden	73
Mit dem festgelegten Admin-Kennwort arbeiten	73
Systeme mit vier Festplattenlaufwerken oder einem Bandlaufwerk	74
SCSI-Festplattenlaufwerke installieren	74
Fehlender Speicher bei Systemen mit PCI-Express („Speicherloch“)	75

Abbildungen

Abbildung 1-1.	Speicherlüftereinheit installieren	62
Abbildung 1-2.	Hauptfenster des System-Setup-Programms	64
Abbildung 1-3.	SCSI-Festplattenlaufwerke installieren	74

Tabellen

Tabelle 1-1.	Systemmeldungen	63
Tabelle 1-2.	Systemoptionen	65
Tabelle 1-3.	Laufwerkoptionen	65
Tabelle 1-4.	Optionen für Geräte der Systemplatine	66
Tabelle 1-5.	Leistungsoptionen	68
Tabelle 1-6.	Sicherheitsoptionen	68
Tabelle 1-7.	Energieverwaltungsoptionen	69
Tabelle 1-8.	Wartungsoptionen	70
Tabelle 1-9.	POST-Verhaltensoptionen	71

Dieses Dokument enthält aktuelle Informationen zu Ihrem System. Es behandelt die folgenden Themen:

- Microsoft® Windows® Small Business Server 2003 installieren
- Red Hat® Enterprise Linux ES (Version 3) installieren
- Speicherlüfter und -kühlgehäuse
- Systemfehlermeldungen
- Optionen des System-Setup
- Execute-Disable-Funktion (System-Setup-Optionen/Sicherheitsoptionen)
- Systemkennwort vergeben
- Mit dem festgelegten Admin-Kennwort arbeiten
- Systeme mit vier Festplattenlaufwerken oder einem Bandlaufwerk
- SCSI-Festplattenlaufwerke installieren
- Fehlender Speicher bei Systemen mit PCI-Express („Speicherloch“)

Microsoft Windows Small Business Server 2003 installieren

Wenn Sie Microsoft Windows Small Business Server 2003 auf einem Dell™ PowerEdge™ SC1420 installieren, kann es vorkommen, dass der Installationsvorgang bei etwa dreizehn verbleibenden Minuten stehenzubleiben scheint; an dieser Stelle meldet Windows, dass Komponenten registriert werden. In diesem Abschnitt der Installation installiert Windows zusätzliche Sicherheits-Updates und -Patches, und dies kann erheblich mehr Zeit in Anspruch nehmen als die angezeigte geschätzte Restzeit. Während diese Updates installiert werden, sollten Sie nicht eingreifen und den Abschluss der Installation abwarten. Tests von Dell haben ergeben, dass die Verzögerung je nach Hardware-Konfiguration zwischen 5 und über 45 Minuten dauern kann. Dieses Verhalten wurde von Microsoft im Knowledge-Base-Artikel 839492 dokumentiert.

Red Hat Enterprise Linux ES (Version 3) installieren

Bevor Sie Linux auf Ihrem System installieren, setzen Sie die Option **SATA Operation** (SATA-Betrieb) im Menü **Drives** (Laufwerke) des System-Setup-Programms auf **RAID Off** (RAID deaktiviert).

Speicherlüfter und -kühlgehäuse

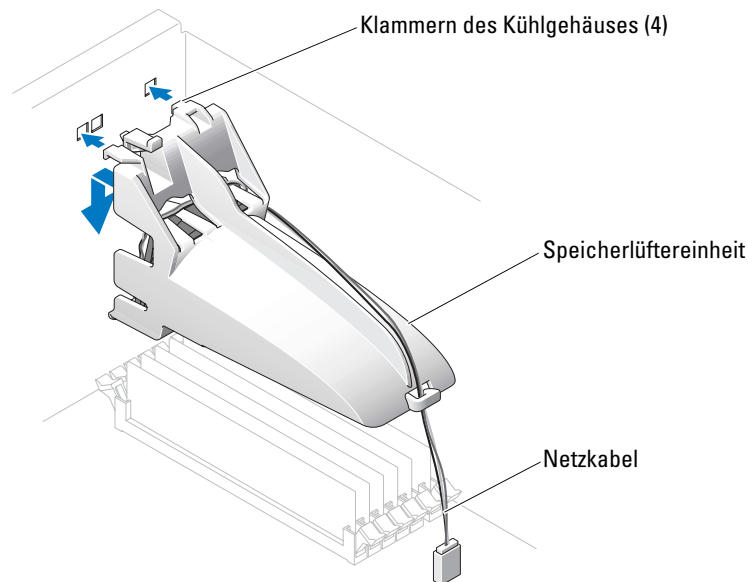
- HINWEIS:** Wenn Sie mehr als 4 GB Speicher installieren, müssen Sie eine Speicherlüftereinheit mit Kühlgehäuse einsetzen, um einer Überhitzung der Speichermodule vorzubeugen. Falls keine Speicherlüftereinheit installiert ist, wird eine Fehlermeldung angezeigt, die darauf hinweist, dass Sie einen Lüfter installieren oder Speichermodule entfernen müssen.

Speicherlüfter und -kühlgehäuse installieren

VORSICHT: Ausführliche Informationen zu den Sicherheitsvorkehrungen beim Arbeiten im Inneren des Computers und zum Schutz vor elektrischer Entladung finden Sie im *Systeminformationshandbuch*.

- 1 Schalten Sie das System sowie die angeschlossenen Peripheriegeräte aus, und unterbrechen Sie die Stromzufuhr.
- 2 Öffnen Sie das System.
- 3 Richten Sie die Klammern der Speicherlüftereinheit an den Öffnungen der Rückseite aus. Siehe Abbildung 1-1.

Abbildung 1-1. Speicherlüftereinheit installieren



- 4 Setzen Sie die Klammer in die Öffnungen ein und senken Sie die Speicherlüftereinheit ab, bis sie einrastet.
- 5 Verbinden Sie das Netzkabel der Speicherlüftereinheit mit der Systemplatine. Siehe Abbildung 1-1.
- 6 Schließen Sie das System.
- 7 Schließen Sie das System wieder an die Stromversorgung an, und schalten Sie es ein.

Systemfehlermeldungen

In Tabelle 1-1 sind die Systemfehlermeldungen aufgeführt, die dem POST hinzugefügt wurden.

Tabelle 1-1. Systemmeldungen

Meldung	Ursachen	Korrekturmaßnahmen
Alert! Memory fan has failed or is not present. A memory fan is required for the current memory configuration. Please see the documentation that came with your computer for more information.	Mehr als 4 GB Speicher installiert ohne erforderlichen Speicherlüfter.	Installieren Sie einen Speicherlüfter mit Kühlgehäuse bzw. ersetzen Sie die vorhandene Speicherlüftereinheit.
Alert! Operating in debug mode. Please populate memory in pairs for normal operation.	Es ist nur ein einziges Speichermodul mit einer Kapazität von über 256 MB im Steckplatz DIMM_1 installiert.	Diese Fehlermeldung wird angezeigt, wenn Sie Speichermodulfelder beheben. Nachdem Sie die Fehler behoben haben, bestücken Sie die Speicherbänke mit Speichermodulen in identischen Paarungen. Weitere Hinweise finden Sie unter „Störungen bei einem System-speicher beheben“ und „Anleitung zur Speicherinstallation“ in Ihrem <i>Installations- und Fehlerbehebungshandbuch</i> .
Alert! Unable to initialize fan controller.	Systemplatine ist fehlerhaft.	Weitere Hinweise finden Sie unter „Wie Sie Hilfe bekommen“ im <i>Installations- und Fehlerbehebungshandbuch</i> .
Error! Memory configured incorrectly. Please enter Setup for Memory Info details.	Die Speichermodule sind nicht korrekt installiert.	Weitere Hinweise finden Sie unter „Anleitung zur Speicherinstallation“ in Ihrem <i>Installations- und Fehlerbehebungshandbuch</i> .

Optionen des System-Setup-Programms

Hauptfenster

Abbildung 1-2 zeigt ein Beispiel für das Hauptfenster.

Abbildung 1-2. Hauptfenster des System-Setup-Programms

Dell System PowerEdge SC1420		(www.dell.com)	
<p>System</p> <p>System Info CPU Info Memory Info Date/Time Boot Sequence</p> <p>Drives</p> <p>Diskette Drive Drive 0: SATA-0 Drive 1: SATA-1 Drive 2: DATA-0 Drive 3: DATA-1 Drive 4: DATA-2 Drive 5: DATA-3 SATA Operation SMART Reporting</p> <p>Onboard Devices</p> <p>Integrated NIC LPT Port Mode LPT Port Address Serial Port #1 Serial Port #2 USB PS/2 Mouse Port</p> <p>Performance</p> <p>Hyper-Threading HDD Acoustic Mode</p> <p>Security</p> <p>Admin password System password</p>	<p>Diskette Drive</p> <p>Off USB Internal Read Only</p> <p>This field determines how the floppy drive operates.</p> <p>Off = All floppy drives are disabled. USB = The internal floppy drive is disabled. If the USB controller is enabled and a USB floppy exists it will be bootable. Internal = The internal floppy drive is enabled. Read Only = The internal floppy drive is enabled and only allows reads.</p> <p>The factory default setting is Internal.</p> <p>Use ENTER to modify this selection Use Up/Down arrows to select a different field Use ESC key to exit this program Use +/- keys to expand or collapse a group</p>		

Tabelle 1-2 und Tabelle 1-9 enthalten die Optionen und Beschreibungen für jede Gruppe von Informationsfeldern, die im Hauptfenster des System-Setup-Programms angezeigt werden.



ANMERKUNG: Die Standardeinstellungen des System-Setup-Programms sind ggf. unter den entsprechenden Optionen angegeben.

Tabelle 1-2. Systemoptionen

Option	Beschreibung
System Info	Zeigt folgende Informationen an: System (Name des Systems), BIOS Version (BIOS-Versionsnummer), BIOS Date (BIOS-Datum) sowie Service Tag , Express Service Code (Service-Kennnummer, Express-Servicecode) und Asset Tag (Systemkennnummer).
CPU Info	Zeigt für jeden im System installierten Prozessor folgende Informationen an: Processor Type (Prozessortyp), Processor Clock Speed (Prozessortaktrate), Processor Bus Speed (Prozessorbustaktrate), Processor Cache Size (Größe des Prozessorcachespeichers), Processor ID (Prozessorkennnummer), Hyper-Threading Capable (Hyperthreading-Fähigkeit des Prozessors) sowie 64-bit Technology (64-Bit-Technologie).
Memory Info	Zeigt folgende Informationen an: Installed Memory (Größe des installierten Speichers), Memory Speed (Speichertaktrate), Memory Channel Mode (Speicherkanalmodus) sowie Memory Technology (Speichertechnologie). Über diese Option wird auch eine Tabelle gezeigt, die Angaben zur Größe des Arbeitsspeichers sowie zu den Speichermodulen (ECC-Fähigkeit, Einzel-/Dualmodul, Typ und Anordnung) enthält.
Date/Time	Einstellungen für den internen Systemkalender und die Uhr.
Boot Sequence (Standardeinstellung Diskette drive)	Legt die Reihenfolge fest, in der das System während des Systemstarts nach startfähigen Geräten sucht. Verfügbare Optionen können das Diskettenlaufwerk, das CD-Laufwerk, Festplattenlaufwerke und das Netzwerk sein.

Tabelle 1-3. Laufwerkoptionen

Option	Beschreibung
Diskette Drive (Diskettenlaufwerk) (Internal [Intern], Standardeinstellung)	Aktiviert und deaktiviert das Diskettenlaufwerk und vergibt Leserechte für das interne Diskettenlaufwerk. Off (Aus) deaktiviert alle Diskettenlaufwerke. USB deaktiviert das interne Diskettenlaufwerk und aktiviert ein USB-Laufwerk, wenn der USB-Controller aktiviert ist und ein USB-Laufwerk angeschlossen ist. Internal (Intern) aktiviert das interne Diskettenlaufwerk. Read Only (Schreibgeschützt) aktiviert den internen Laufwerk-Controller und weist dem Diskettenlaufwerk Leserechte zu. ANMERKUNG: Diskettenlaufwerke sind optional und daher möglicherweise nicht Teil Ihres Systems.

Tabelle 1-3. Laufwerkoptionen (Fortsetzung)

Option	Beschreibung
Drive (0-5) (Laufwerk [0-5]) (On, Standard-einstellung)	Aktiviert oder deaktiviert ein PATA- oder SATA-Gerät (z. B. Festplatten-, CD- oder DVD-Laufwerk). Off (Aus) deaktiviert die Schnittstelle. Das Gerät kann nicht verwendet werden. On (Ein) aktiviert die Schnittstelle. Das Gerät kann verwendet werden. Zeigt Folgendes an: den Controller -Typ (PATA oder SATA), Port (Anschlussnummer des Laufwerks), Drive ID (Laufwerk-ID), Capacity (Kapazität) und ob das Laufwerk vom BIOS gesteuert wird. ANMERKUNG: Laufwerk 0 und Laufwerk 1 sind SATA-Laufwerke, Laufwerke 2–5 PATA- oder IDE-Laufwerke.
SATA Operation (SATA-Betrieb) (RAID On [RAID Ein], Standardeinstellung)	Legt den Betriebsmodus des integrierten SATA-Controllers fest. RAID On (RAID ein) aktiviert die RAID-Unterstützung. RAID Off (RAID aus) deaktiviert die RAID-Unterstützung. HINWEIS: Aktivieren Sie den Betriebsmodus RAID Off des integrierten SATA-Controllers, wenn Sie eine SCSI-RAID-Add-In-Controllerkarte verwenden.
SMART Reporting (SMART-Berichtfunktion) (Off [Aus], Standard-einstellung)	Legt fest, ob Festplattenfehler für interne Laufwerke während des Systemstarts gemeldet werden. Off (Aus) erstellt keine Fehlermeldungen. On (Ein) erstellt Fehlermeldungen.

Tabelle 1-4. Optionen für Geräte der Systemplatine

Option	Beschreibung
Integrated NIC (Integrierter NIC) (On, Standard-einstellung)	Aktiviert oder deaktiviert den integrierten NIC-Controller. Off (Aus) deaktiviert den Controller. On (Ein) aktiviert den Controller. ANMERKUNG: PXE oder RPL sind nur erforderlich, wenn Sie ein Betriebssystem über ein anderes System starten. Sie werden nicht benötigt, um ein Betriebssystem auf dem Festplattenlaufwerk innerhalb dieses Systems starten.
USB (On, Standard-einstellung)	Aktiviert oder deaktiviert den internen USB-Controller. Off (Aus) deaktiviert den Controller. On (Ein) aktiviert den Controller. No Boot (Kein Start) aktiviert den Controller und deaktiviert gleichzeitig die Möglichkeit, von einem USB-Gerät aus zu starten.

Tabelle 1-4. Optionen für Geräte der Systemplatine (Fortsetzung)

Option	Beschreibung
LPT Port Mode (Modus der LPT-Schnittstelle) (PS/2, Standardeinstellung)	Legt den Betriebsmodus für die interne parallele Schnittstelle fest. Off (Aus) deaktiviert die Schnittstelle. AT konfiguriert die Schnittstelle IBM AT-kompatibel. PS/2 konfiguriert die Schnittstelle IBM PS/2-kompatibel. EPP konfiguriert die Schnittstelle für das bidirektionale EPP-Protokoll. ECP konfiguriert die Schnittstelle für das bidirektionale ECP-Protokoll. Wenn Sie für LPT Port Mode (Modus der LPT-Schnittstelle) die Einstellung ECP auswählen, wird die Option LPT Port DMA (DMA für LPT-Schnittstelle) im Optionsmenü angezeigt.
LPT Port Address (Adresse der LPT-Schnittstelle) (378, Standardeinstellung)	Legt die Adresse für die integrierte, parallele Schnittstelle fest.
Serial Port (#1 or #2) (Serielle Schnittstelle 1 und 2) (Auto, Standardeinstellung)	Für Serial Port 1 (Serielle Schnittstelle 1) stehen die Optionen COM1 , COM3 , Auto und Off (Aus) zur Verfügung. Für Serial Port 2 (Serielle Schnittstelle 2) stehen die Optionen COM2 , COM4 , Auto und Off (Aus) zur Verfügung. Wenn die serielle Schnittstelle 1 oder 2 auf Auto gesetzt ist, wird die integrierte Schnittstelle automatisch dem nächsten verfügbaren Anschluss zugewiesen. Die serielle Schnittstelle 1 versucht zuerst COM1 und dann COM3 zu verwenden. Die serielle Schnittstelle 2 versucht zuerst COM2 und dann COM4 zu verwenden. Wenn beide Adressen für einen bestimmten Anschluss verwendet werden, wird die Schnittstelle deaktiviert. Wird eine serielle Schnittstelle auf Auto gesetzt und eine Erweiterungskarte mit einem Anschluss mit derselben Bezeichnung hinzugefügt, adressiert das System den integrierten Anschluss automatisch zur nächsten verfügbaren Anschlussbezeichnung um, der dieselbe IRQ -Einstellung hat.
PS/2 Mouse Port (PS/2-Mausanschluss) (On, Standardeinstellung)	Aktiviert oder deaktiviert den integrierten PS/2-kompatiblen Maus-Controller. Off (Aus) deaktiviert den Controller. On (Ein) aktiviert den Controller.

Tabelle 1-5. Leistungsoptionen

Option	Beschreibung
Hyper-Threading (Hyperthreading) (On, Standard-einstellung)	Legt fest, ob der physikalische Prozessor als einer oder zwei Prozessoren angezeigt wird. Die Leistung einiger Anwendungen kann verbessert werden, indem zusätzliche logische Prozessoren installiert werden. On (Ein) aktiviert die Hyperthreading-Funktion. Off (Aus) deaktiviert die Hyperthreading-Funktion.
HDD Acoustic Mode (HDD-Akustikmodus) (Performance [Leistung], Standardeinstellung)	Ermöglicht eine beliebige Optimierung der SATA- bzw. PATA-Laufwerkleistung und des Geräuschpegels. Bypass (Umgehung) wird für ältere Geräte verwendet. Quiet (Leise) verringert die Laufwerkleistung und die Laufwerkgeräusche. Suggested (Wie vorgeschlagen) passt die Leistung an den bevorzugten Modus des Herstellers an. Performance (Leistung) steigert die Laufwerkleistung, kann aber gleichzeitig zu verstärkten Laufwerkgeräuschen führen.

Tabelle 1-6. Sicherheitsoptionen

Option	Beschreibung
Admin Password (Admin-Kennwort) (Not Set [Nicht eingerichtet], Standardeinstellung)	Zeigt den derzeitigen Status der Kennwortsicherheitsfunktion des System-Setup-Programms an und ermöglicht die Bestätigung und Vergabe eines neuen Admin-Kennworts. ANMERKUNG: Anweisungen zum Vergeben eines Administrator-kennworts bzw. zum Verwenden oder Ändern eines bestehenden Administratorkennworts finden Sie unter „Admin-Kennwort verwenden“ im <i>Benutzerhandbuch</i> .
System Password (Systemkennwort) (Not Set [Nicht eingerichtet], Standardeinstellung)	Zeigt den derzeitigen Status der Kennwortsicherheitsfunktion des Systems an und ermöglicht die Bestätigung und Vergabe eines neuen Systemkennworts. ANMERKUNG: Anweisungen zum Vergeben eines Systemkennworts bzw. zum Verwenden oder Ändern eines bestehenden Systemkennworts finden Sie unter „Systemkennwort verwenden“ im <i>Benutzerhandbuch</i> .
Password Changes (Kennwortänderungen) (Unlocked [Nicht gesperrt], Standard-einstellung)	Legt die Interaktion von Systemkennwort und Setup-Kennwort fest. Locked (Gesperrt) verhindert, dass ein Benutzer mit einem gültigen Setup-Kennwort das Systemkennwort ändern kann. Unlocked (Nicht gesperrt) lässt zu, dass ein Benutzer mit einem gültigen Setup-Kennwort das Systemkennwort ändern kann.

Tabelle 1-6. Sicherheitsoptionen (Fortsetzung)

Option	Beschreibung
Chassis Intrusion (Gehäuseeingriff) (On-Silent [Stumm aktiviert], Standard-einstellung)	Aktiviert bzw. deaktiviert die Gehäuseeingriffs-Erkennungsfunktion. Bei der Einstellung On-Silent (Stumm aktiviert) werden Gehäuseeingriffe erkannt, jedoch keine Warmmeldungen während des Starts ausgegeben. Wenn die Option auf On (Aktiviert) gesetzt wird, zeigt das Feld DETECTED (Erkannt) an, wenn das Gehäuse geöffnet wurde. Durch Drücken einer Bearbeitungstaste wird der Gehäuseeingriff bestätigt, und das System wird wieder zur Erkennung weiterer Sicherheitsverletzungen aktiviert. Die Einstellung Off (Aus) deaktiviert die Gehäuseeingriffs-Erkennungsfunktion.
Intrusion Alert (Warmmeldung bei Eingriff)	Durch Drücken der <Eingabetaste> wird der Gehäuseeingriff bestätigt, und das System wird auf die Durchführung einer Überprüfung zur Erkennung weiterer Sicherheitsverletzungen vorbereitet.
Execute Disable (On , Standard-einstellung)	Execute-Disable (XD) - Deaktivieren von Code-Ausführung - ist eine neue Sicherheitsfunktion, die in Verbindung mit einem entsprechenden Betriebssystem und unterstützenden Anwendungen das Ausführen von Programmcode in bestimmten Speicherbereichen verhindert. Mit diesem Speicherschutz lässt sich eine Klasse von Viren vermeiden, die Pufferüberläufe ausnutzt. Für Execute-Disable sind die Einstellungen On und Off möglich. On zeigt an, dass der Execute-Disable-Speicherschutz aktiviert ist. Bei der Einstellung Off ist Execute-Disable deaktiviert.

Tabelle 1-7. Energieverwaltungsoptionen

Option	Beschreibung
AC Recovery (Netzstrom-wiederherstellung) (Last , Standard-einstellung)	Legt fest, wie das System reagiert, wenn nach einem Stromausfall wieder Strom zugeführt wird. Off (Aus) bedeutet, dass das System nach der Stromzufuhr ausgeschaltet bleibt. Um das System zu starten, müssen Sie auf den Einschaltknopf auf der Vorderseite drücken. On (Ein) bedeutet, dass das System nach der Stromzufuhr eingeschaltet wird. Last (Letzter) bewirkt, dass das System in den vor dem Stromausfall vorhandenen Netzstromzustand zurückkehrt.
Auto Power On (Automatisches Einschalten aktivieren) (Off [Aus], Standard-einstellung)	Legt fest, wann die Einstellung Auto Power Time (Automatisches Einschalten) verwendet wird, um das System zu starten. Off (Aus) bewirkt, dass das System die Funktion Auto Power Time (Automatisches Einschalten) nicht verwendet. Everyday (Jeden Tag) startet das System jeden Tag um die unter Auto Power Time (Automatisches Einschalten) angegebene Zeit. Weekdays (Wochentags) startet das System jeden Tag von Montag bis Freitag um die unter Auto Power Time (Automatisches Einschalten) angegebene Zeit.

Tabelle 1-7. Energieverwaltungsoptionen (Fortsetzung)

Option	Beschreibung
Auto Power Time (Automatisches Einschalten)	Legt den Zeitpunkt fest, zu dem das System gestartet werden soll.
Low Power Mode (Stromsparmodus) (Off [Aus], Standard-einstellung)	On spart mehr Strom, da die meisten Hardware-Funktionen nicht mit Strom versorgt werden. Off (Aus) spart weniger Strom, da die meisten Hardware-Funktionen mit Strom versorgt werden.
Remote Wake Up (Remote-Aktivierung) (Off [Aus], Standard-einstellung)	Legt fest, wie das System per Remote-Zugriff im Suspendier-, Ruhe- oder Off-Modus gestartet wird. Off (Aus) deaktiviert die NIC-Funktion zur Systemreaktivierung. On (Ein) aktiviert die NIC-Funktion zur Systemreaktivierung. On w/ Boot to NIC (Ein mit Netzwerkstart) aktiviert die Systemreaktivierung und den Systemstart über Netzwerk. Um die Funktion Remote Wake Up (Remote-Aktivierung) auszuführen, müssen Sie zunächst die Funktion Low Power Mode (Stromsparmodus) auf Off (Aus) stellen.

Tabelle 1-8. Wartungsoptionen

Option	Beschreibung
Load Defaults (Standardeinstellungen wiederherstellen)	Setzt alle System-Setup-Optionen auf die Werkseinstellungen zurück.
Event Log (Ereignisprotokoll)	Zeigt das Event Log (Ereignisprotokoll) an. Die Einträge sind mit R für Read (Lesen) und U für Unread (Ungelesen) gekennzeichnet. Mark All Entries Read (Alle Einträge als gelesen markieren) kennzeichnet alle Einträge auf der linken Seite mit einem R. Clear Log (Protokoll löschen) löscht das Event Log (Ereignisprotokoll).

Tabelle 1-9. POST-Verhaltensoptionen

Option	Beschreibung
Fast Boot (Schneller Start) (On , Standard-einstellung)	Wenn diese Funktion aktiviert ist, werden einige Schritte zur Systemkompatibilität übersprungen, damit sich die Startzeit reduziert. Off (Aus) überspringt keine Schritte während des Systemstarts. On (Ein) lässt das System schneller starten.
Numlock Key (Num-Taste) (On , Standard-einstellung)	Legt die Funktionalität der Nummertasten auf der rechten Seite Ihrer Tastatur fest. Off (Aus) ordnet den Tasten der Zehnertastatur die Funktionen der Pfeiltasten zu. On (Ein) ordnet den Tasten der Zehnertastatur die Funktionen der Nummertasten zu.
POST Hotkeys (POST-Hotkeys) (Setup and Boot Menu [Setup und Startmenü], Standardeinstellung)	Legt fest, ob das Anmeldefenster die erforderliche Tastenkombination anzeigt, um das Setup -Programm oder die Schnellstartfunktion aufzurufen. Setup & Boot Menu (Setup- und Startmenü) zeigt beide Meldungen. (F2=Setup und F12=Startmenü). Setup zeigt nur die Taste für das Setup an (F2=Setup). Boot Menu (Startmenü) zeigt nur die Meldung Quickboot (Schnellstart) (F12=Startmenü). None (Keine) zeigt keine Meldung an.
Keyboard Errors (Tastaturfehler) (Report , Standard-einstellung)	Bei der Einstellung Report (enabled) (Melden (aktiviert)) wird eine Fehlermeldung von BIOS angezeigt, wenn ein Fehler während POST festgestellt wird. Drücken Sie <F1>, um fortzufahren, oder drücken Sie <F2>, um das System-Setup aufzurufen. Bei der Einstellung Do Not Report (disabled) (Nicht melden [deaktiviert]) zeigt BIOS eine Fehlermeldung an, wenn ein Fehler während des POST festgestellt wurde, und setzt den Systemstart fort.

Systemkennwort vergeben

Bevor Sie ein Systemkennwort vergeben, muss das System-Setup-Programm aufgerufen und die Option **System Password** (Systemkennwort) überprüft werden.


Wenn ein Systemkennwort vergeben wurde, steht die Einstellung für die Option **System Password** (Systemkennwort) auf **Set** (Eingerichtet). Wenn unter **Password Changes** (Kennwortänderungen) die Einstellung **Unlocked** (Nicht gesperrt) angezeigt wird, kann das Systemkennwort geändert werden. Ist die Option **Password Changes** (Kennwortänderungen) auf **Locked** (Gesperrt) gesetzt, so kann das Systemkennwort nicht geändert werden. Wenn die Systemkennwortfunktion durch eine Jumper-Stellung auf der Systemplatine deaktiviert wurde, ist das Systemkennwort **Disabled** (Deaktiviert) und kann nicht geändert werden bzw. es kann kein neues Systemkennwort eingegeben werden.

Wenn kein Systemkennwort vergeben wurde und sich der Kennwort-Jumper auf der Systemplatine in der aktivierten Position (Standardeinstellung) befindet, lautet die angezeigte Einstellung für die Option **System Password** (Systemkennwort) **Not Set** (Nicht eingerichtet), und das Feld **Password Changes** (Kennwortänderungen) ist **Unlocked** (Nicht gesperrt). So vergeben Sie ein Systemkennwort:

- 1 Stellen Sie sicher, dass die Option **Password Changes** (Kennwortänderungen) auf **Unlocked** (Nicht gesperrt) gesetzt ist.
- 2 Markieren Sie die Option **System Password** (Systemkennwort), und drücken Sie die <Eingabetaste>.
- 3 Geben Sie das neue Systemkennwort ein.
Das Kennwort darf bis zu 32 Zeichen lang sein.

Für jedes eingegebene Zeichen (auch für ein Leerzeichen) wird ein Platzhalter im Feld angezeigt.

Bei der Kennwortzuweisung muss nicht auf Groß- und Kleinschreibung geachtet werden. Gewisse Tastenkombinationen sind nicht zulässig. Wird eine dieser Kombinationen eingegeben, gibt das System Signaltöne aus. Drücken Sie zum Löschen von Zeichen die <Rücktaste> oder die Pfeil-Nach-Links-Taste.


 **ANMERKUNG:** Um das Feld ohne Vergabe eines Systemkennworts zu verlassen, wechseln Sie durch Drücken der <Eingabetaste> zu einem anderen Feld oder drücken Sie zu einem beliebigen Zeitpunkt vor dem Ausführen von Schritt 5 die Taste <Esc>.

- 4 Drücken Sie die <Eingabetaste>.
- 5 Geben Sie das Kennwort zur Bestätigung ein zweites Mal ein und drücken Sie dann die <Eingabetaste>.

Der angezeigte Einstellungsparameter für **System Password** (Systemkennwort) wird auf **Set** (Eingerichtet) geändert.

- 6 Speichern Sie und beenden Sie das System-Setup-Programm. Sie können Ihr System jetzt verwenden.

Systemkennwort zur Systemsicherung verwenden

 **ANMERKUNG:** Wenn Sie ein Administratorkennwort vergeben haben (siehe „Admin-Kennwort verwenden“ im *Benutzerhandbuch*), akzeptiert das System das Admin-Kennwort als alternatives Systemkennwort.

Wenn die Option **Password Changes** (Kennwortänderungen) auf **Unlocked** (Entsperrt) gesetzt ist, kann der Kennwortschutz aktiviert bleiben oder deaktiviert werden.


So aktivieren Sie den Kennwortschutz:

- 1 Schalten Sie das System ein oder starten Sie es neu, indem Sie die Tastenkombination <Strg><Alt><Entf> drücken.
- 2 Geben Sie Ihr Kennwort ein und drücken Sie die <Eingabetaste>.

Wenn die Option **Password Changes** (Kennwortänderungen) auf **Locked** (Gesperrt) gesetzt ist, müssen Sie das Kennwort bei jedem Einschalten oder bei jedem Neustart des Systems (durch Drücken von <Strg><Alt><Entf>) eingeben und an der Eingabeaufforderung die <Eingabetaste> drücken.

Nachdem Sie das korrekte Systemkennwort eingegeben und die <Eingabetaste> gedrückt haben, wird das System normal betrieben. Wenn ein falsches Systemkennwort eingegeben wurde, zeigt das System eine Meldung an und fordert Sie zur Eingabe des Kennworts auf. Sie haben drei Versuche, das korrekte Kennwort einzugeben. Nach dem dritten erfolglosen Versuch zeigt das System eine Fehlermeldung mit der Anzahl der erfolglosen Versuche an. Das System wird angehalten und heruntergefahren. Diese Meldung warnt davor, dass eine nicht befugte Person versucht, das System zu verwenden.


Auch nach dem Herunterfahren und Neustarten des Systems wird die Fehlermeldung weiterhin angezeigt, bis das korrekte Kennwort eingegeben wurde.

 **ANMERKUNG:** Die Option **Password Changes** (Kennwortänderungen) kann zusammen mit den Optionen **System Password** (Systemkennwort) und **Admin Password** (Admin-Kennwort) zum weiteren Schutz des Systems vor unerlaubtem Zugriff eingesetzt werden.

Mit dem festgelegten Admin-Kennwort arbeiten

Wenn die Option **Admin Password** (Admin-Kennwort) auf **Set** (Eingerichtet) steht, muss zuerst das korrekte Kennwort eingegeben werden, bevor die meisten Optionen des System-Setups bearbeitet werden können. Beim Starten des System-Setup-Programms müssen Sie das Kennwort bei der Option **Unlock Setup** (Setup entsperren) eingeben.

Nach drei aufeinanderfolgenden, fehlerhaften Versuchen der Eingabe des richtigen Kennworts ermöglicht das System nur die Anzeige der System-Setup-Bildschirme mit der folgenden Ausnahme. Wenn **System Password** (Systemkennwort) nicht auf **Set** (Eingerichtet) gesetzt ist und nicht über die Option **Password Changes** (Kennwortänderungen) gesperrt ist, kann ein Systemkennwort vergeben werden (es ist jedoch nicht möglich, ein vorhandenes Systemkennwort zu deaktivieren oder zu ändern).

 **ANMERKUNG:** Die Option **Password Changes** (Kennwortänderungen) kann zusammen mit der Option **Admin Password** (Admin-Kennwort) verwendet werden, um das Systemkennwort vor unbefugten Änderungen zu schützen.

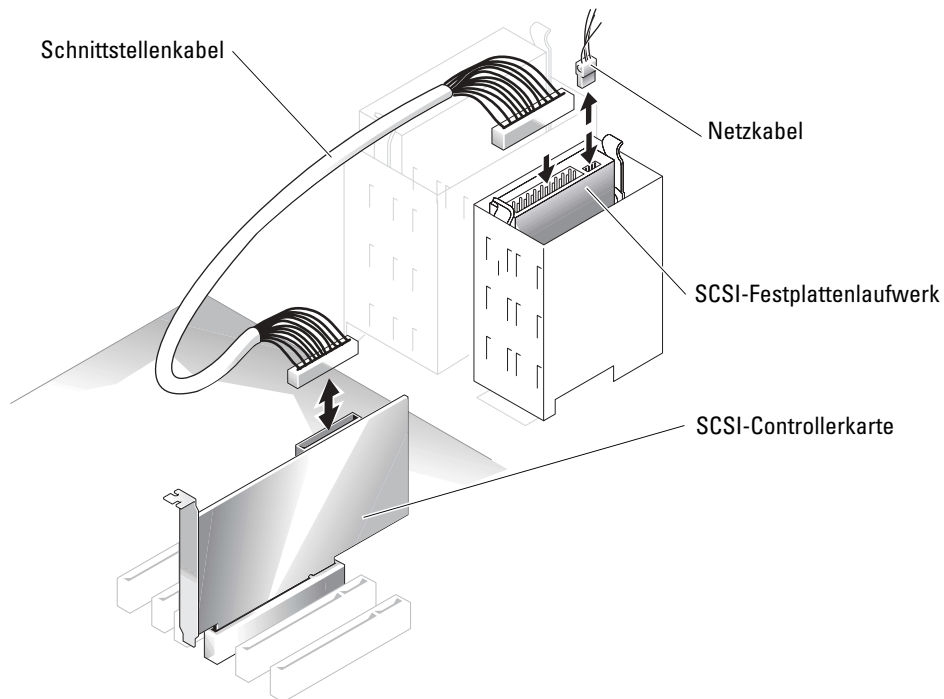
Systeme mit vier Festplattenlaufwerken oder einem Bandlaufwerk

Wenn Ihr System einen einzelnen Prozessor und vier Festplattenlaufwerke oder ein Bandlaufwerk enthält, müssen Sie einen zweiten Prozessorlüfter mit Kühlgehäuse installieren. Hinweise zur Installation der Prozessorlüfter-/Kühlgehäuseeinheit finden Sie im *Installations- und Fehlerbehebungshandbuch*.

SCSI-Festplattenlaufwerke installieren

Wenn Sie SCSI-Festplattenlaufwerke einbauen, müssen Sie diese an eine SCSI-Controllerkarte anschließen. Siehe Abbildung 1-3. Im *Installations- und Fehlerbehebungshandbuch* wird durch eine Zeichnung veranschaulicht, wie die Laufwerke an die Systemplatine angeschlossen werden.

Abbildung 1-3. SCSI-Festplattenlaufwerke installieren



Fehlender Speicher bei Systemen mit PCI-Express („Speicherloch“)

Bei Systemkonfigurationen mit PCI-Express-Steckplätzen und einer RAM-Größe von 3,5 GB oder mehr wurde folgendes Problem festgestellt. Der vom Betriebssystem angezeigte Wert für die Größe des RAM ist kleiner als der tatsächlich im System installierte Speicher. Diese Differenz beim Speicher, üblicherweise als „Speicherloch“ bezeichnet, geht auf die Anforderungen des PCI-Express-Subsystems und auf die Art der Speicherzuteilung im System zurück. PCI-Express benötigt RAM jeweils in vollen Blöcken von 256 MB. Daher werden mindestens 256 MB Speicher für PCI-Express reserviert. Die Zuteilung kann höher ausfallen (in weiteren Blöcken von 256 MB), wenn das System zusätzliche Peripherie- oder integrierte Adapter enthält oder das System Hot-Plugging für PCI-Express unterstützt.

Das Speicherloch ist nur auf Betriebssystemebene erkennbar. Im System-Setup-Programm wird der installierte RAM korrekt wiedergegeben.

Zum Zeitpunkt der Schriffliegung dieses Dokuments ist eine Behelfslösung verfügbar, wie im Knowledge-Base-Artikel 283037 auf der Support-Website von Microsoft beschrieben. Diese Behelfslösung ist nur dann einsetzbar, wenn das System mit 4 GB oder mehr RAM ausgestattet ist und das Betriebssystem Physical Address Extensions (PAE) unterstützt.






HINWEIS: Beim Aktivieren von PAE im Betriebssystem sollten Sie vorsichtig sein, da in bestimmten Systemkonfigurationen verschiedene Probleme auftreten können. Sie sollten sowohl die Wissensdatenbank von Dell als auch von Microsoft nach relevanten Artikeln durchsuchen und die entsprechenden Maßnahmen treffen, um diese Probleme zu verhindern.

Um PAE in Microsoft Windows 2000 und 2003 zu aktivieren, ergänzen Sie die Datei `boot.ini` in der Zeile für das Windows-Betriebssystem um den Schalter `/PAE`. Für andere Betriebssysteme erhalten Sie Informationen über PAE-Unterstützung in der entsprechenden Dokumentation oder auf der Support-Website für das Betriebssystem.

Dell™ PowerEdge™
SC1420 システム
アップデート情報

メモ、注意、警告

-  **メモ**：操作し、知っておくと便利な情報が記載されています。
-  **注意**：ハードウェアの損傷やデータの損失の可能性があることを示し、その危険を回避するための方法を説明しています。
-  **警告**：物的損害、けが、または死亡の原因となる可能性があることを示します。

略語について

略語の説明は、『ユーザズガイド』の「用語集」を参照してください。

ここに記載されている内容は予告なく変更されることがあります。

© 2004 すべての著作権は Dell Inc. にあります。

Dell Inc. の書面による許可のない複製は、いかなる形態においても厳重に禁じられています。

本書で使用されている商標について：Dell、DELL ロゴ、PowerEdge は Dell Inc. の商標です。

Microsoft および Windows は Microsoft Corporation の登録商標です。Red Hat は Red Hat, Inc. の登録商標です。

本書では、必要に応じて上記記載以外の商標および会社名が使用されている場合がありますが、これらの商標や会社名は、一切 Dell Inc. に所属するものではありません。

目次

Microsoft Windows Small Business Server 2003	
のインストール	81
Red Hat Enterprise Linux ES (バージョン 3)	
のインストール	81
メモリの冷却ファンとカバー	82
メモリの冷却ファンとカバーの取り付け	82
システムエラーメッセージ	83
セットアップユーティリティのオプション	84
Main 画面	84
システムパスワードの設定	91
システムを保護するためのシステムパスワードの使い方	92
Admin パスワード使用中の操作	92
4 台のハードドライブまたは 1 台のテープバックアップユニットを搭載したシステム	93
SCSI ハードドライブの取り付け	93
PCI Express を実装したシステムの「メモリホール」	94

図

図 1-1	メモリの冷却ファンとカバーの取り付け	82
図 1-2	セットアップユーティリティの Main 画面	84
図 1-3	SCSI ハードドライブの取り付け	93

表

表 1-1	システムメッセージ	83
表 1-2	セットアップ オプション	85
表 1-3	ドライブのオプション	85
表 1-4	内蔵デバイスのオプション	86
表 1-5	パフォーマンスのオプション	87
表 1-6	セキュリティのオプション	88
表 1-7	電力管理のオプション	89
表 1-8	メンテナンスのオプション	89
表 1-9	POST 動作のオプション	90

本書では、以下のトピックについて、お使いのシステムに関するアップデート情報を提供します。

- Microsoft® Windows® Small Business Server 2003 のインストール
- Red Hat® Enterprise Linux ES (バージョン 3) のインストール
- メモリの冷却ファンとカバー
- システムエラーメッセージ
- セットアップオプション
- Execute Disable の実行 (セットアップユーティリティのオプション / セキュリティ オプション)
- システムパスワードの設定
- Admin パスワード使用中の操作
- 4 台のハードドライブまたは 1 台のテープバックアップユニットを搭載したシステム
- SCSI ハードドライブの取り付け
- PCI Express を実装したシステムの「メモリホール」

Microsoft Windows Small Business Server 2003 のインストール

Microsoft Windows Small Business Server 2003 を Dell™ PowerEdge™ SC1420 にインストールすると、コンポーネントの登録中を示すメッセージが表示されている間に、約 13 分を残した時点でインストール処理が停止したように見える場合があります。Windows はインストールのこの段階でセキュリティのアップデートとパッチをインストールします。このインストールには予想残り時間よりも大幅に長い時間を要する場合があります。これらのアップデートがインストールされている間は何の操作も行わず、インストールの完了に必要な時間が経過するまで待ってください。弊社のテスト結果によると、インストールの遅延時間は、ハードウェアの構成によって、短い場合で 5 分程度、長い場合は 45 分を超えることがわかっています。Microsoft はこの動作について、「サポート技術情報 (Knowledge Base)」の記事 #839492 で説明しています。

Red Hat Enterprise Linux ES (バージョン 3) のインストール

システムに Linux をインストールする前に、セットアップユーティリティの **Drives** メニューにある **SATA Operation** オプションを **RAID Off** に設定します。

メモリの冷却ファンとカバー

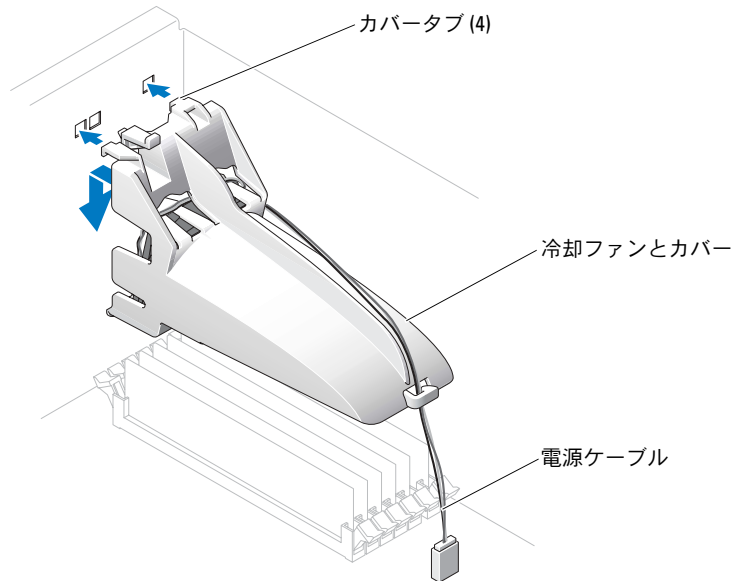
注意：4 GB を超えるメモリを取り付ける場合は、メモリの過熱を防ぐため、冷却ファンとカバーを取り付ける必要があります。冷却ファンとカバーを取り付けないと、ファンを取り付けるかメモリを取り外すことを求めるエラーメッセージが表示されます。

メモリの冷却ファンとカバーの取り付け

警告：安全上の注意、コンピュータ内部の作業、および静電気障害への対処の詳細については、『システム情報ガイド』を参照してください。

- 1 システムの電源を切り、システムに接続されている周辺機器の電源を切って、電源コンセントから抜きます。
- 2 システムカバーを開きます。
- 3 メモリの冷却ファンとカバーのタブを、バックパネルの穴に合わせます。
図 1-1 を参照してください。

図 1-1 メモリの冷却ファンとカバーの取り付け



- 4 タブを穴に差し込み、冷却ファンとカバーがカチッと固定されるまで押し下げます。
- 5 冷却ファンとカバーの電源ケーブルをシステム基板に接続します。図 1-1 を参照してください。
- 6 システムカバーを閉じます。
- 7 電源ケーブルをコンセントに接続し、システムの電源を入れます。

システムエラーメッセージ

表 1-1 は、POST に追加されたシステムエラーメッセージの一覧です。

表 1-1 システムメッセージ

メッセージ	原因	対応処置
Alert!Memory fan has failed or is not present.A memory fan is required for the current memory configuration. Please see the documentation that came with your computer for more information.	必要なメモリファンを取り付けずに、4 GB を超えるメモリを取り付けました。	メモリの冷却ファンとカバーを取り付けるか、または交換してください。
Alert!Operating in Debug Mode.Please populate memory in pairs for normal operation.	256 MB より大きなメモリモジュール 1 つだけが DIMM_1 に取り付けられています。	このエラーメッセージは、メモリモジュールのトラブルシューティングの際に表示されます。トラブルシューティングが完了した後、同一ペアのメモリを装着してください。『インストール&トラブルシューティング』の「システムメモリのトラブルシューティング」と「メモリ取り付けガイドライン」を参照してください。
Alert!Unable to initialize fan controller.	システム基板の不良です。	『インストール&トラブルシューティング』の「困ったときは」を参照してください。
Error!Memory configured incorrectly.Please enter Setup for Memory Info details.	メモリモジュールが正しく取り付けられていません。	『インストール&トラブルシューティング』の「メモリ取り付けガイドライン」を参照してください。

セットアップユーティリティのオプション

Main 画面

図 1-2 に Main 画面の例を示します。

図 1-2 セットアップユーティリティの Main 画面

Dell System PowerEdge SC1420		(www.dell.com)	
<p>System</p> <p>System Info CPU Info Memory Info Date/Time Boot Sequence</p> <p>Drives</p> <p>Diskette Drive Drive 0: SATA-0 Drive 1: SATA-1 Drive 2: DATA-0 Drive 3: DATA-1 Drive 4: DATA-2 Drive 5: DATA-3 SATA Operation SMART Reporting</p> <p>Onboard Devices</p> <p>Integrated NIC LPT Port Mode LPT Port Address Serial Port #1 Serial Port #2 USB PS/2 Mouse Port</p> <p>Performance</p> <p>Hyper-Threading HDD Acoustic Mode</p> <p>Security</p> <p>Admin password System password</p>	<p>Diskette Drive</p> <p>Off USB Internal Read Only</p> <p>This field determines how the floppy drive operates.</p> <p>Off = All floppy drives are disabled. USB = The internal floppy drive is disabled. If the USB controller is enabled and a USB floppy exists it will be bootable. Internal = The internal floppy drive is enabled. Read Only = The internal floppy drive is enabled and only allows reads.</p> <p>The factory default setting is Internal.</p> <p>Use ENTER to modify this selection Use Up/Down arrows to select a different field Use ESC key to exit this program Use +/- keys to expand or collapse a group</p>		

表 1-2 から表 1-9 には、セットアップユーティリティの Main 画面に表示される各グループの情報フィールドのオプションとその説明を示します。


 **メモ**：必要に応じて、セットアップユーティリティのデフォルト設定をそれぞれのオプションの下に示します。

表 1-2 セットアップオプション

オプション	説明
System Info	システム名、BIOS のバージョン番号、BIOS の日付、サービスタグ、エクスプレスサービスコード、および管理タグを表示します。
CPU Info	システムに搭載されたプロセッサについて、次の情報を表示します。 種類、クロック速度、バス速度、キャッシュサイズ、ID 番号、ハイパースレディングが可能かどうか、および 64 ビットテクノロジー を搭載しているかどうか。
Memory Info	搭載されたメモリの 容量、速度、チャンネルモード 、および メモリテクノロジー の説明を表示します。このオプションでは、メモリのサイズ、種類、構成、メモリモジュールが ECC 対応かどうか、シングルランクかデュアルランクかを説明する表も表示されます。
Date/Time	システム内部の日付と時刻をリセットします。
Boot Sequence (デフォルトは Diskette drive)	システム起動時にシステムが起動デバイスを検索する順番を指定します。利用可能なオプションは、ディスクドライブ、CD ドライブ、ハードドライブ、およびネットワークです。

表 1-3 ドライブのオプション

オプション	説明
Diskette Drive (デフォルトは Internal)	内蔵ディスクドライブについて、有効・無効の切り替えと、読み出し許可を設定します。 Off に設定すると、ディスクドライブが無効になります。 USB に設定すると、内蔵ディスクドライブが無効になり、USB ドライブが有効になります(USB コントローラが有効で USB ドライブが接続されている場合)。 Internal に設定すると、内蔵ディスクドライブが有効になります。 Read Only に設定すると、内蔵ドライブコントローラが有効になり、内蔵ディスクドライブの読み出し専用操作が許可されます。 メモ ：ディスクドライブはオプションなので、お使いのシステムには取り付けられていない場合もあります。

表 1-3 ドライブのオプション (続き)

オプション	説明
Drive (0-5) (デフォルトは On)	<p>ハードドライブ、CD ドライブ、DVD ドライブなどの PATA または SATA デバイスを有効・無効にします。Off に設定すると、インタフェースが無効になり、デバイスが使用できなくなります。On に設定すると、インタフェースが有効になり、デバイスが使用できるようになります。</p> <p>コントローラタイプ(PATA または SATA)、ドライブのポート番号、ドライブ ID 番号、容量、およびドライブが BIOS でコントロールされているかどうかを表示します。</p> <p>メモ : Drive 0 と Drive 1 は SATA ドライブ用、ドライブ 2 ~ 5 は PATA すなわち IDE ドライブ用に予約されています。</p>
SATA Operation (デフォルトは RAID On)	<p>内蔵 SATA コントローラの動作モードを決めます。RAID On に設定すると、RAID のサポートが有効になります。RAID Off に設定すると、RAID のサポートが無効になります。</p> <p>注意 : SCSI RAID アドインコントローラカードを使う場合は、内蔵 SATA コントローラの動作モードを RAID Off に設定します。</p>
SMART Reporting (デフォルトは Off)	<p>システムの起動時に内蔵ハードドライブのエラーを報告するかどうかを決めます。Off に設定すると、エラーが報告されません。On に設定すると、エラーが報告されます。</p>

表 1-4 内蔵デバイスのオプション

オプション	説明
統合 NIC (デフォルトは On)	<p>内蔵 NIC コントローラを有効または無効にします。Off に設定すると、コントローラが無効になります。On に設定すると、コントローラが有効になります。</p> <p>メモ : PXE または RPL は、別のシステムでオペレーティングシステムを起動させる場合にのみ必要です。このシステムのハードドライブからオペレーティングシステムを起動する場合は必要ありません。</p>
USB (デフォルトは On)	<p>内蔵 USB コントローラを有効または無効にします。Off に設定すると、コントローラが無効になります。On に設定すると、コントローラが有効になります。No Boot に設定すると、コントローラは有効になりますが、USB デバイスからの起動はできません。</p>
LPT Port Mode (デフォルトは PS/2)	<p>システム内蔵の平行ポートの動作モードを決めます。Off に設定すると、ポートが無効になります。AT に設定すると、ポートが IBM AT 互換モードに設定されます。PS/2 に設定すると、ポートが IBM PS/2 互換モードに設定されます。EPP に設定すると、ポートが EPP 双方向プロトコルに設定されます。ECP に設定すると、ポートが ECP 双方向プロトコルに設定されます。</p> <p>LPT Port Mode を ECP に設定すると、LPT Port DMA オプションがオプションメニューに表示されます。</p>

表 1-4 内蔵デバイスのオプション（続き）

オプション	説明
LPT Port Address (378がデフォルト)	内蔵パラレルポート用のアドレスを決めます。
Serial Port (#1 または #2) (デフォルトは Auto)	シリアルポート 1 のオプションは、 COM1 、 COM3 、 Auto 、および Off です。 シリアルポート 2 のオプションは、 COM2 、 COM4 、 Auto 、および Off です。 シリアルポート 1 または 2 を Auto に設定すると、内蔵ポートは自動的に次に利用できるポートにマップされます。シリアルポート 1 では、最初に COM1 を、次に COM3 の使用を試みます。シリアルポート 2 では、最初に COM2 を、次に COM4 の使用を試みます。どちらのアドレスも特定のポートに対して使用中の場合、そのポートは無効です。 シリアルポートを Auto に設定し、拡張カードを追加してポートを同じ指定先に設定した場合、システムでは内蔵ポートが同じ IRQ 設定を共有する次の利用可能なポートに指定されるように自動的に再マップします。
PS/2 Mouse Port (デフォルトは On)	内蔵の PS/2 互換マウスコントローラを有効または無効にします。 Off に設定すると、コントローラが無効になります。 On に設定すると、コントローラが有効になります。

表 1-5 パフォーマンスのオプション

オプション	説明
Hyper-Threading (デフォルトは On)	物理プロセッサを 1 つまたは 2 つの論理プロセッサとして表示するかどうかを決めます。アプリケーションによっては、論理プロセッサの数を増やしたほうが性能が向上するものがあります。 On に設定すると、ハイパースレッディングが有効になります。 Off に設定すると、ハイパースレッディングが無効になります。
HDD Acoustic Mode (デフォルトは Performance)	SATA または PATA ドライブのパフォーマンスと騒音レベルをユーザーの好みに応じて設定できます。 Bypass は古いタイプのドライブ用です。 Quiet に設定すると、ドライブの動作が遅くなり、騒音レベルが下がります。 Suggested に設定すると、メーカーの推奨モードで動作します。 Performance に設定すると、パフォーマンスは向上しますが、騒音レベルが上がります。

表 1-6 セキュリティのオプション

オプション	説明
Admin Password (デフォルトは Not Set)	<p>セットアップユーティリティのパスワードセキュリティ機能の現在の状態が表示され、ここで新しいシステムセットアップパスワードの確認と設定を行えます。</p> <p>メモ：管理者パスワードの設定、および既存の管理者パスワードの使用または変更の手順については、『ユーザーズガイド』の「Using the Admin Password」（管理者パスワードの使い方）を参照してください。</p>
System Password (デフォルトは Not Set)	<p>システムのパスワードセキュリティ機能の現在の状態が表示され、ここで新しいシステムパスワードの確認と設定を行えます。</p> <p>メモ：システムパスワードの設定、および既存のシステムパスワードの使用または変更の手順については、『ユーザーズガイド』の「Using the System Password」（システムパスワードの使い方）を参照してください。</p>
Password Changes (デフォルトは Unlocked)	<p>システムパスワードとセットアップパスワードの相互関係を決めます。Locked に設定すると、有効なセットアップパスワードを持つユーザーでも、システムパスワードを変更できません。Unlocked に設定すると、有効なセットアップパスワードを持つユーザーは、システムパスワードを変更できます。</p>
Chassis Intrusion (デフォルトは On-Silent)	<p>シャーシイントルーション検出機能を有効または無効にします。</p> <p>On-Silent に設定すると、シャーシイントルーションは検出されませんが、システム起動時に警告メッセージは報告されません。On に設定すると、シャーシカバーが開けられた際、このフィールドにDETECTED と表示されます。いずれかの編集キーを押すと、このメッセージを確認したことになり、今後のシャーシへの侵入検出機能が有効になります。Off に設定すると、シャーシイントルーション検出機能が無効になります。</p>
Intrusion Alert	<p><Enter> キーを押すと、このメッセージを確認したことになり、今後のシャーシへの侵入検出機能が有効になります。</p>
Execute Disable (デフォルトは On)	<p>Execute Disable(XD)は、サポートされているオペレーティングシステムまたはアプリケーションと組み合わせると特定のメモリ領域におけるコードの実行を防ぐことができる新しいセキュリティ機能です。Execute Disable は、バッファオーバーフロー攻撃を使う一群のウイルスからコンピュータを守るために役立ちます。</p> <p>Execute Disable には、On と Off の 2 つの設定があります。On は、Execute Disable メモリ保護テクノロジーがオンに設定されていることを示します。Off は、Execute Disable メモリ保護テクノロジーがオフに設定されていることを示します。</p>

表 1-7 電力管理のオプション

オプション	説明
AC Recovery (デフォルトはLast)	停電後の AC 電源投入時にシステムがどのように対応するかを決めます。 Off に設定すると、電源が投入されてもシステムがオフのままになります。システム電源をオンにするには、正面パネルの電源ボタンを押す必要があります。 On に設定すると、電源投入時にシステムがオンになります。 Last に設定すると、前回の電源遮断時のシステム電源の設定状態に戻ります。
Auto Power On (デフォルトは Off)	システムの電源をオンにするとき、 Auto Power Time 設定を使うかどうかを決めます。 Off に設定すると、システムは Auto Power Time 機能を使用しません。 Everyday に設定すると、毎日 Auto Power Time で設定された時間にシステムの電源がオンになります。 Weekdays では、月曜から金曜まで Auto Power Time で設定された時間にシステムの電源がオンになります。
Auto Power Time	システムの電源をオンにする時間を決めます。
Low Power Mode (デフォルトは Off)	On に設定すると、大部分のハードウェアの電源を切って電力を節約します。 Off に設定すると、一部のハードウェアだけの電源を切るの で、節電効果は小さくなります。
Remote Wake Up (デフォルトは Off)	Suspend 、 Hibernate 、または Off の各モードからリモートで電源をオンにする方法を選択します。 Off に設定すると、NIC によるシステムのウェイクアップが無効になります。 On に設定すると、NIC によるシステムのウェイクアップが有効になります。 On w/ Boot to NIC に設定すると、NIC によるシステムのウェイクアップとネットワークからの起動が有効になります。 リモートウェイクアップ を実行したい場合は、あらかじめ Low Power Mode を Off に設定しておく必要があります。

表 1-8 メンテナンスのオプション

オプション	説明
Load Defaults	セットアップユーティリティのオプションをすべて工場出荷時の設定に復元できます。
Event Log	イベントログを表示することができます。エントリは、 すでに読んだもの には R 、 まだ読んでいないもの には U のマークが付きます。 Mark All Entries Read を選択すると、すべてのエントリの左に R が付きます。 Clear Log を選択すると、 Event Log がクリアされます。

表 1-9 POST 動作のオプション

オプション	説明
Fast Boot (デフォルトは On)	この機能を有効にすると、互換性チェックに関するいくつかの手順を省いて、システムの起動時間を短縮できます。 Off に設定すると、システム起動時にすべての手順が実行されます。 On に設定すると、システムがより早く起動します。
Numlock Key (デフォルトは On)	キーボード右側の数値キーパッドの機能を決めます。 Off に設定すると、数値キーパッドのキーが方向キーとして機能します。 On に設定すると、数値キーパッドのキーは数値キーとして機能します。
POST Hotkeys (デフォルトは Setup and Boot Menu)	サインオン画面で セットアップユーティリティ を起動するためのキー操作、および クイックブート 機能を使用するためのキー操作を表示するかどうか選択します。 Setup & Boot Menu に設定すると、両方のメッセージ (F2=Setup および F12=Boot Menu)が表示されます。 Setup に設定すると、セットアップのメッセージ(F2=Setup)だけが表示されます。 Boot Menu に設定すると、 クイックブート のメッセージ(F12=Boot Menu)だけが表示されます。 None に設定すると、何もメッセージが表示されません。
Keyboard Errors (デフォルトは Report)	<p>Report に設定すると、POST 実行時にエラーが検出された場合、BIOS によってエラーメッセージが表示され、続行するには <F1> を、セットアップユーティリティを起動するには <F2> を押すように求められます。</p> <p>Do Not Report に設定すると、POST 実行時にエラーが検出された場合、BIOS によってエラーメッセージが表示され、そのままシステムの起動が続行されます。</p>

システムパスワードの設定

システムパスワードを設定する前に、まずセットアップユーティリティを起動して、**System Password** オプションを確認します。

システムパスワードが設定されている場合、**System Password** オプションの設定には **Set** と表示されます。**Password Changes** が **Unlocked** に設定されている場合、システムパスワードは変更できます。**Password Changes** オプションが **Locked** に設定されている場合、システムパスワードは変更できません。ジャンパ設定によってシステムパスワード機能が無効になっている場合、その設定は **Disabled** で、システムパスワードを変更したり新しいシステムパスワードを入力したりすることはできません。


システムパスワードが設定されておらず、システム基板上のパスワードジャンパが有効な位置（デフォルト）に設定されている場合、**System Password** オプションは **Not Set** と表示され、**Password Change** フィールドには **Unlocked** と表示されます。システムパスワードを設定するには、次の手順を実行します。

- 1 **Password Changes** オプションが **Unlocked** に設定されていることを確認します。
- 2 **System Password** オプションをハイライト表示して、<Enter> を押します。
- 3 このフィールドに新しいシステムパスワードを入力します。

パスワードは半角の英数字で 32 文字まで入力できます。


いずれかの文字キー（またはブランクスペースとしてスペースキー）を押すと、フィールドには文字の代わりにプレースホルダが表示されます。

パスワードの設定では、大文字と小文字は区別されません。ただし無効なキーの組み合わせもあります。そのような組み合わせで入力すると、ピープ音が鳴ります。入力したパスワードを訂正するには、<バックスペース> または左矢印キーを押して文字を消去します。

 **メモ**：システムパスワードの設定を途中で中止したい場合は、手順 5 を終了する前に <Enter> を押して別のフィールドに移動するか <Esc> を押します。

- 4 <Enter> を押します。
- 5 パスワードを確認するために、もう一度同じパスワードを入力して、<Enter> を押します。
System Password の設定表示が **Set** に変わります。
- 6 変更を保存してセットアップユーティリティを終了すれば、システムが使用できます。

システムを保護するためのシステムパスワードの使い方

 **メモ**：管理者パスワードを設定している場合（『ユーザーズガイド』の「Using the Admin Password」（管理者パスワードの使い方）を参照）、システムはシステムパスワードの代用として管理者パスワードを受け付けます。

Password Changes オプションが **Unlocked** に設定されている場合、パスワードセキュリティを有効にしたり無効にしたりできます。

パスワードセキュリティを有効にするには、次の手順を実行します。

- 1 システムの電源を入れるか、<Ctrl><Alt> を押してシステムを再起動します。
- 2 パスワードを入力し、<Enter> を押します。

Password Changes オプションが **Locked** に設定されている場合、システムを起動したり <Ctrl><Alt> を押して再起動したりするたびに、プロンプト画面でパスワードを入力して <Enter> を押します。

正しいシステムパスワードを入力した後、<Enter> を押して通常どおりにシステムを操作します。

間違ったシステムパスワードを入力すると、パスワードの再入力を求めるメッセージが表示されます。3 回目までに正しいパスワードを入力してください。間違ったパスワードが 3 回入力されると、システムは間違ったパスワードの入力回数とシステム停止を示すエラーメッセージを表示し、シャットダウンします。このメッセージは、何者かが無許可でシステムの使用を試みたことを示す警告となります。


システムをシャットダウンして再起動しても、正しいパスワードが入力されるまで、このエラーメッセージが表示されます。

 **メモ**：System Password オプションおよび Admin Password オプションに Password Changes オプションを組み合わせることで、システムが許可なく変更されることを防止できます。

Admin パスワード使用中の操作

Admin Password が **Set** になっている場合、正しい Admin パスワードを入力しないと、ほとんどのシステムセットアップオプションを変更できません。セットアップユーティリティを起動する際、**Unlock Setup** オプションを使用してパスワードを入力する必要があります。

3 回目までに正しいパスワードを入力しないと、セットアップ画面は表示されますが、変更することはできません。ただし例外として、**System Password** が **Set** に設定されておらず、また **Password Changes** オプションを使ってロックされていない場合は、システムパスワードを設定することができます（既存のシステムパスワードを無効にしたり変更したりすることはできません）。

 **メモ**：Admin Password オプションに Password Changes オプションを組み合わせることで、システムパスワードが許可なく変更されることを防止できます。

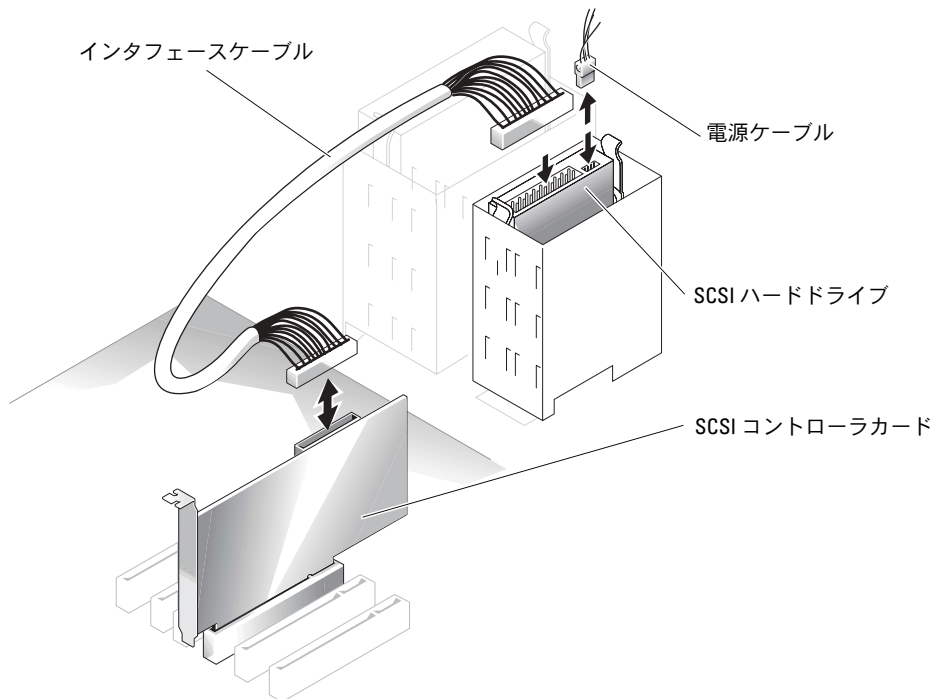
4台のハードドライブまたは1台のテープバックアップユニットを搭載したシステム

システムに、単一のプロセッサと、4台のハードドライブまたは1台のテープバックアップユニットが搭載されている場合は、2個目のプロセッサ冷却ファンおよびカバーを取り付ける必要があります。プロセッサの冷却ファンとカバーの取り付けについては、『インストール&トラブルシューティング』を参照してください。

SCSI ハードドライブの取り付け

SCSI ハードドライブをインストールする場合は、ドライブを SCSI コントローラカードに接続する必要があります。図 1-3 を参照してください。『インストール&トラブルシューティング』のイラストに、ドライブとシステム基盤との接続が示されています。

図 1-3 SCSI ハードドライブの取り付け




PCI Express を実装したシステムの「メモリホール」

PCI Express スロットと 3.5 GB 以上の RAM を搭載したシステム構成の場合は、オペレーティングシステムによって表示される利用可能な RAM の容量がシステムに実際に搭載されている容量を下回るという現象が生じます。通常「メモリホール」と呼ばれるこの差異は、PCI Express サブシステムの要件と、システムによるメモリ配分の方法によって生じるものです。PCI Express は、一度に 256 MB の RAM をフルブロックで必要とします。そのため、システムは PCI Express 用に最小 256 MB のメモリを配分します。そして、システムに（周辺機器か内蔵タイプかを問わず）アダプタが追加されていたり、システムがホットプラグ対応の PCI Express をサポートしている場合には、この配分が 256 MB 単位のブロックで増える場合があります。

メモリホールは、オペレーティングシステムのレベルでしか表示されません。セットアップユーティリティでは、取り付けられた RAM の正確な容量が表示されます。

本稿執筆の時点では、この問題を回避する方法が 1 つあり、Microsoft のサポート Web サイトで入手できる「サポート技術情報 (Knowledge Base)」の記事 #283037 で説明されています。この回避方法は、システムに搭載されている RAM が 4 GB 以上で、オペレーティングシステムが Physical Address Extensions (PAE) をサポートしている場合にのみ利用可能です。

 **注意：**システム構成によっては多数の問題が発生する場合がありますため、オペレーティングシステムで PAE を有効に設定する前に注意が必要です。デルと Microsoft の「サポート技術情報 (Knowledge Base)」の両方を参照し、これらの問題の詳細を説明する記事を探して、問題回避のために適切な処置を行ってください。

Microsoft Windows 2000 および 2003 で PAE を有効に設定するには、**boot.ini** ファイル内で Windows オペレーティングシステムに対応する行に `/PAE` スイッチを追加します。その他のオペレーティングシステムの場合は、マニュアルまたはオペレーティングシステムのサポート Web サイトを参照して、PAE のサポートに関する情報を探してください。

Dell™PowerEdge™

*SC*1420 시스템

정보 업데이트

주, 주의사항 및 주의



참고: 주는 컴퓨터를 보다 효율적으로 사용할 수 있도록 중요 정보를 제공합니다.



주의사항: 주의사항은 하드웨어의 손상 또는 데이터 유실 위험을 설명하며, 이러한 문제를 방지할 수 있는 방법을 알려줍니다.



주의: 주의는 위험한 상황, 심각한 부상 또는 사망할 우려가 있음을 알려줍니다.

약어 및 머리글자

약어 및 머리글자의 전체 목록은 사용 설명서의 "용어집" 을 참조하십시오.

본 설명서에 수록된 정보는 사전 통보 없이 변경될 수 있습니다.

© 2004 Dell Inc. All rights reserved.

Dell Inc.의 사전 승인 없이 어떠한 경우에도 무단 복제하는 것을 엄격히 금합니다.

본 설명서에 사용된 상표인 Dell, DELL 로고, PowerEdge는 Dell Inc.의 상표입니다. Microsoft와 Windows는 Microsoft Corporation의 등록 상표입니다. Red Hat은 Red Hat, Inc.의 등록 상표입니다.

본 설명서에서 특정 회사의 표시나 제품 이름을 지칭하기 위해 기타 상표나 상호를 사용할 수도 있습니다. Dell Inc.는 자사가 소유하고 있는 것 이외에 기타 모든 등록 상표 및 상표 이름에 대한 어떠한 소유권도 없습니다.

차례

Microsoft Windows Small Business Server 2003 설치	99
Red Hat Linux Enterprise Linux ES(버전 3) 설치	99
메모리 냉각 팬 및 덮개	100
메모리 냉각 팬 및 덮개 설치	100
시스템 오류 메시지	101
시스템 설치 프로그램 옵션	102
기본 화면	102
시스템 암호 지정	108
시스템 보호를 위해 시스템 암호 사용	109
설정된 관리자 암호로 시스템 작동	109
4 개의 하드 드라이브와 테이프 백업 장치가 있는 시스템	110
SCSI 하드 드라이브 설치	110
PCI Express 를 사용하는 시스템에서 메모리 유실 (" 메모리 흘 ")	111

그림

그림 1-1.	메모리 냉각 팬 및 덮개 설치	100
그림 1-2.	시스템 설치 프로그램 기본 화면	102
그림 1-3.	SCSI 하드 드라이브 설치	110

표

표 1-1.	시스템 메시지	101
표 1-2.	시스템 옵션	103
표 1-3.	드라이브 옵션	103
표 1-4.	추가 장치 옵션	104
표 1-5.	성능 옵션	105
표 1-6.	보안 옵션	105
표 1-7.	전원 관리 옵션	106
표 1-8.	유지보수 옵션	107
표 1-9.	사후 동작 옵션	107

본 설명서에는 시스템에 대해 다음 항목의 업데이트 정보를 제공합니다.

- Microsoft® Windows® Small Business Server 2003 설치
- Red Hat® Enterprise Linux ES (버전 3) 설치
- 메모리 냉각 팬 및 덮개
- 시스템 오류 메시지
- 시스템 설치 프로그램 옵션
- XD (Execute Disable) 기능(System Setup 옵션/Security 옵션)
- 시스템 암호 지정
- 관리 암호 세트로 작동
- 4개의 하드 드라이브와 테이프 백업 장치가 있는 시스템
- SCSI 하드 드라이브 설치
- PCI Express를 사용하는 시스템에서 메모리 유실("메모리홀")

Microsoft Windows Small Business Server 2003 설치

Dell™ PowerEdge™ SC1420에 Microsoft Windows Small Business Server 2003을 설치하는 경우 Windows에서 구성 요소를 등록 중임을 보고할 때 13분 정도 남겨두고 설치 프로세스가 중지되는 것처럼 보일 수 있습니다. 이 설치 단계에서 Windows는 추가적인 보안 업데이트 및 패치를 설치합니다. 이 때 보고되는 남은 예상 시간보다 설치하는 데 훨씬 더 오랜 시간이 소요될 수 있습니다. 이러한 업데이트를 설치하는 동안 별도의 조치를 수행할 필요는 없으며 설치가 완료될 때까지 기다리십시오. Dell 테스트 시 하드웨어 구성에 따라 5분에서 길게는 45분 이상 지연되는 것으로 나타났습니다. Microsoft에서는 Knowledge Base 자료 #839492에서 이러한 Windows 동작에 대해 설명하고 있습니다.

Red Hat Linux Enterprise Linux ES (버전 3) 설치

시스템에 Linux를 설치하기 전에 시스템 설치 프로그램의 Drives 메뉴에서 SATA Operation 옵션을 RAID Off 로 변경하십시오.

메모리 냉각 팬 및 덮개

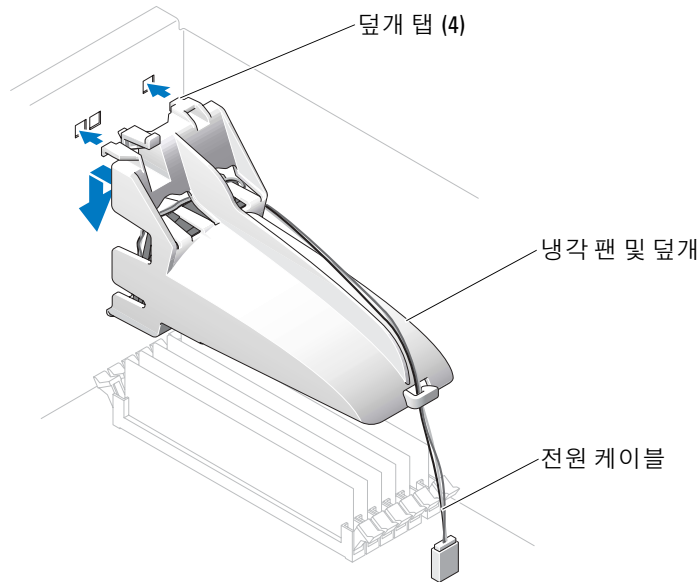
주의사항: 4GB 이상의 메모리를 설치하는 경우 과열을 방지하려면 메모리 냉각 팬과 덮개를 설치해야 합니다. 메모리 냉각 팬과 덮개를 설치하지 않으면 팬을 설치하거나 일부 메모리를 제거해야 한 다음 오류 메시지가 표시됩니다.

메모리 냉각 팬 및 덮개 설치

주의 : 안전 지침, 컴퓨터 내부 작업 및 정전기 방전 보호에 대한 자세한 내용은 시스템 정보 설명서를 참조하십시오.

- 1 시스템과 연결된 주변 장치의 전원을 끄고 시스템을 전기 콘센트에서 분리하십시오.
- 2 시스템을 여십시오.
- 3 메모리 냉각 팬과 덮개를 후면의 구멍에 맞추십시오. 그림 1-1을 참조하십시오.

그림 1-1. 메모리 냉각 팬 및 덮개 설치



- 4 탭을 끼우고 메모리 냉각 팬과 덮개가 물릴 때까지 아래로 낮추십시오.
- 5 메모리 냉각 팬과 덮개 전원 케이블을 시스템 보드에 연결하십시오. 그림 1-1을 참조하십시오.
- 6 시스템을 닫으십시오.
- 7 시스템을 전원 콘센트에 다시 연결하고 시스템을 켜십시오.

시스템 오류 메시지

표 1-1 은 POST에 추가된 시스템 오류 메시지 목록입니다.

표 1-1. 시스템 메시지

메시지	원인	조치
Alert! Memory fan has failed or is not present. A memory fan is required for the current memory configuration.	필요한 메모리 팬을 설치하지 않고 4GB 이상의 메모리를 설치한 경우.	메모리 냉각 팬과 덮개를 설치하거나 교체하십시오.
Alert! Operating in Debug Mode. Please Populate Memory in Pairs for Normal Operation.	용량이 256MB 이상인 메모리 모듈만 DIMM_1에 설치됩니다.	메모리 모듈의 문제를 해결하는 경우 이 메시지가 표시됩니다. 문제 해결 절차를 마치면 같은 메모리를 쌍으로 장착하십시오. <i>설치 및 문제 해결 설명서</i> 의 "시스템 메모리 문제 해결" 및 "메모리 설치 지침"을 참조하십시오.
Alert! Unable to initialize fan controller.	시스템 보드에 결함이 있습니다.	<i>설치 및 문제 해결 설명서</i> 의 "도움말 얻기"를 참조하십시오.
Error! Memory configured incorrectly. Please enter Setup for Memory Info details.	메모리 모듈이 잘못 설치되었습니다.	<i>설치 및 문제 해결 설명서</i> 의 "메모리 설치 지침"을 참조하십시오.

시스템 설치 프로그램 옵션

기본 화면

그림 1-2 기본 화면의 예를 보여 줍니다.

그림 1-2. 시스템 설치 프로그램 기본 화면

Dell System PowerEdge SC1420		(www.dell.com)	
<p>System</p> <p>System Info CPU Info Memory Info Date/Time Boot Sequence</p> <hr/> <p>Drives</p> <p>Diskette Drive Drive 0: SATA-0 Drive 1: SATA-1 Drive 2: DATA-0 Drive 3: DATA-1 Drive 4: DATA-2 Drive 5: DATA-3 SATA Operation SMART Reporting</p> <hr/> <p>Onboard Devices</p> <p>Integrated NIC LPT Port Mode LPT Port Address Serial Port #1 Serial Port #2 USB PS/2 Mouse Port</p> <hr/> <p>Performance</p> <p>Hyper-Threading HDD Acoustic Mode</p> <hr/> <p>Security</p> <p>Admin password System password</p>	<p>Diskette Drive</p> <p>Off USB Internal Read Only</p> <hr/> <p>This field determines how the floppy drive operates.</p> <p>Off = All floppy drives are disabled. USB = The internal floppy drive is disabled. If the USB controller is enabled and a USB floppy exists it will be bootable. Internal = The internal floppy drive is enabled. Read Only = The internal floppy drive is enabled and only allows reads.</p> <p>The factory default setting is Internal.</p> <hr/> <p>Use ENTER to modify this selection Use Up/Down arrows to select a different field Use ESC key to exit this program Use +/- keys to expand or collapse a group</p>		

표 1-2에서 표 1-9는 시스템 설치 프로그램의 기본 화면에 나타나는 각 정보 필드 그룹의 옵션과 설명을 보여 줍니다.


 **참고:** 시스템 설치 프로그램 기본값은 각 해당 옵션 밑에 표시됩니다.

표 1-2. 시스템 옵션

옵션	설명
System Info	시스템 이름, BIOS 버전 번호, BIOS 날짜, 자산 태그, 특급 서비스 코드 및 소유 태그를 표시합니다.
CPU Info	시스템에 설치된 프로세서 대한 다음 정보를 표시합니다. 프로세서 종류, 프로세서 클럭 속도, 프로세서 버스 속도, 프로세서 캐시 크기, 프로세서 ID 번호 및 프로세서에 64비트 기술이 있을 경우, 프로세서가 Hyper-Threading Capable인지 여부를 표시합니다.
Memory Info	설치된 메모리 용량, 메모리 속도, 메모리 채널 모드 및 메모리 기술에 대한 설명을 표시합니다. 이 옵션은 메모리 크기, 메모리 모듈이 ECC 사용 가능, 단일 등급 또는 이중 등급, 종류 및 조직인지 여부를 설명하는 표를 표시합니다.
Date/Time	시스템의 내부 달력 및 시계를 재설정합니다.
Boot Sequence (Diskette drive 기본값)	시스템 시동 과정에서 시스템이 부팅 장치를 검색하는 순서를 결정합니다. 사용 가능한 옵션은 디스켓 드라이브, CD 드라이브, 하드 드라이브 및 네트워크입니다.

표 1-3. 드라이브 옵션

옵션	설명
Diskette Drive (Internal 기본값)	디스켓 드라이브를 사용 또는 사용하지 않도록 설정하고 내부 디스켓 드라이브에 대한 읽기 권한을 설정합니다. Off. 모든 디스켓 드라이브를 사용하지 않습니다. USB. 내부 디스켓 드라이브를 사용하지 않고 USB 컨트롤러를 사용할 수 있고 USB 드라이브가 연결되어 있는 경우 USB 드라이브를 사용합니다. Internal. 내부 디스켓 드라이브를 사용합니다. Read Only. 내부 드라이브 컨트롤러를 사용하고 내부 디스켓 드라이브에 읽기 전용 권한을 부여합니다. 참고: 디스켓 드라이브는 선택 사양이며 시스템에 포함되어 있지 않을 수 있습니다.

표 1-3. 드라이브 옵션 (계속)

옵션	설명
Drive (0-5) (On 기본값)	PATA 또는 SATA 장치(하드 드라이브, CD-ROM, DVD 드라이브)를 사용 또는 사용하지 않도록 설정합니다. Off . 인터페이스를 사용하지 않도록 설정하므로 장치를 사용할 수 없습니다. On . 인터페이스를 사용하도록 설정하여 장치를 사용할 수 있습니다. 컨트롤러 유형(PATA 또는 SATA), 드라이브가 사용하는 포트 번호, 드라이브 ID 번호, 용량 및 BIOS에 의해 드라이브가 제어되는지 여부를 표시합니다. 참고: 드라이브 0 및 드라이브 1은 SATA 드라이브용으로, 드라이브 2-5는 PATA 또는 IDE 드라이브용으로 예약되어 있습니다.
SATA Operation (RAID On 기본값)	내장형 SATA 컨트롤러의 작동 모드를 결정합니다. RAID On RAID 지원을 사용합니다. RAID Off RAID 지원을 사용하지 않습니다. 주의사항: SCSI RAID 추가 컨트롤러 카드 사용 시 내장 SATA 컨트롤러의 작동 모드를 RAID Off 로 설정합니다.
SMART Reporting (Off 기본값)	시스템을 시동하는 중에 내장 드라이브의 하드 드라이브 오류를 보고할지 여부를 결정합니다. Off 오류를 보고하지 않습니다. On 오류를 보고합니다.

표 1-4. 추가 장치 옵션

옵션	설명
내장형 NIC (On 기본값)	내장형 NIC 컨트롤러를 사용 또는 사용하지 않도록 설정합니다. Off 컨트롤러를 사용하지 않습니다. On 컨트롤러를 사용합니다. 참고: PXE 또는 RPL은 다른 시스템의 운영 체제로 부팅하는 경우에만 필요하며 이 시스템의 하드 드라이브에 설치된 운영 체제로 부팅하는 경우에는 필요하지 않습니다.
USB (On 기본값)	내부 USB 컨트롤러를 사용 또는 사용하지 않도록 설정합니다. Off 컨트롤러를 사용하지 않습니다. On 컨트롤러를 사용합니다. No Boot 컨트롤러를 사용하지만 USB 장치로 부팅하는 기능은 사용하지 않습니다.
LPT 포트 모드 (PS/2 기본값)	내부 병렬 포트의 작동 모드를 결정합니다. Off . 포트를 사용하지 않습니다. AT . IBM AT와 호환되도록 포트를 구성합니다. PS/2 . IBM PS/2용 포트와 호환되도록 포트를 구성합니다. EPP EPP 양방향 프로토콜에 대해 포트를 구성합니다. ECP ECP 양방향 프로토콜에 대해 포트를 구성합니다. LPT 포트 모드 를 ECP로 설정하면 옵션 메뉴에 LPT 포트 DMA 옵션이 표시됩니다.
LPT 포트 주소 (378 기본값)	내장 병렬 포트가 사용할 주소를 결정합니다.

표 1-4. 추가 장치 옵션 (계속)

옵션	설명
Serial Port (#1 or #2) (Auto 기본값)	<p>직렬 포트 1 옵션에는 COM1, COM3, Auto 및 Off가 있습니다.</p> <p>직렬 포트 2 옵션에는 COM2, COM4, Auto 및 Off가 있습니다.</p> <p>직렬 포트 1 또는 2가 Auto로 설정되면 내장 포트는 자동으로 다음 사용 가능한 포트에 매핑됩니다. 직렬 포트 1은 먼저 COM1, 그 다음 COM3의 사용을 시도합니다. 직렬 포트 2는 먼저 COM2, 그 다음 COM4의 사용을 시도합니다. 특정 포트가 모든 주소를 사용하는 경우 이 포트는 비활성화됩니다.</p> <p>직렬 포트를 Auto로 설정하고 같은 지정지로 구성된 포트를 사용하여 확장 카드를 추가하는 경우, 시스템은 같은 IRQ 설정을 공유하는 다음의 포트 지정지에 내장형 포트를 자동으로 제한당합니다.</p>
PS/2 Mouse Port (On 기본값)	<p>내장형 PS/2 호환 마우스 컨트롤러를 사용 또는 사용하지 않도록 설정합니다. Off 컨트롤러를 사용하지 않습니다. On 컨트롤러를 사용합니다.</p>

표 1-5. 성능 옵션

옵션	설명
하이퍼스레드 (On 기본값)	<p>각각의 물리 CPU가 1개 또는 2개의 논리 프로세서로 표시되도록 할지 여부를 결정합니다. 일부 응용프로그램의 성능은 설치된 논리 프로세서가 많을수록 향상됩니다. On 하이퍼스레드를 사용합니다. Off 하이퍼스레드를 사용하지 않습니다.</p>
HDD Acoustic Mode (Performance 기본값)	<p>개인적인 취향에 따라 SATA 또는 PATA 드라이브 성능 및 소음 수준을 최적화할 수 있도록 합니다. Bypass. 구형 드라이브에서 사용합니다. Quiet. 드라이브 성능이 느려지지만 드라이브 소음이 줄어듭니다. Suggested. 성능을 제조업체 지정 모드로 조정합니다. Performance. 드라이브 성능이 좋아지지만 동시에 드라이브 소음도 증가합니다.</p>

표 1-6. 보안 옵션

옵션	설명
관리자 암호 (Not Set 기본값)	<p>시스템 설치 프로그램 암호 보안 기능의 현재 상태를 표시해 주며 새 관리자 암호를 확인 및 지정할 수 있습니다.</p> <p>참고: 관리자 암호 지정 및 기존 관리자 암호 사용 또는 변경에 대한 설명은 사용 설명서의 "Admin 암호 사용"을 참조하십시오.</p>
System Password (Not Set 기본값)	<p>시스템 암호 보안 기능의 현재 상태를 표시해 주며 새 시스템 암호를 확인 및 지정할 수 있습니다.</p> <p>참고: 시스템 암호 지정 및 기존 시스템 암호 사용 또는 변경에 대한 설명은 사용 설명서의 "시스템 암호 사용"을 참조하십시오.</p>

표 1-6. 보안 옵션 (계속)

옵션	설명
Password Changes (Unlocked 기본값)	시스템 암호와 설치 프로그램 암호의 상호작용을 결정합니다. Locked. 유효한 설치 프로그램 암호를 가진 사용자가 시스템 암호를 수정할 수 없도록 합니다. Unlocked. 유효한 설치 프로그램 암호를 가진 사용자가 시스템 암호를 수정할 수 있도록 합니다.
Chassis Intrusion (On-Silent 기본값)	새시 침입 탐지 기능을 활성화하거나 비활성화할 수 있습니다. On-Silent 로 설정하면 새시 침입을 탐지하지만 시동 시에 경고 메시지를 보고하지 않습니다. On 으로 설정하면 새시 덮개가 제거된 경우 이 필드에 DETECTED 라는 메시지가 표시됩니다. 편집 키 중 하나를 눌러 침입을 확인하고 시스템이 계속 보안 위반 사항을 찾도록 합니다. Off 로 설정하면 새시 침입 탐지 기능을 비활성화합니다.
Intrusion Alert	<Enter> 키 눌러 침입을 확인하고 시스템이 계속 보안 위반 사항을 찾도록 합니다.
Executable Disable (On 기본값)	XD (Execute Disable)는 지원 운영 체제 또는 응용 프로그램에서 함께 사용될 때 특정 메모리 영역에서 코드 실행을 방지하는 새로운 보안 기능입니다. XD 기능을 사용하면 버퍼 오버플로 취약점을 악용하는 바이러스로부터 보호할 수 있습니다. XD에는 On (사용)과 Off (사용 안 함)의 두 가지 설정이 있습니다. On (사용)은 XD 메모리 보호 기술이 사용되고 있음을 나타냅니다. Off (사용 안 함)는 XD 메모리 보호 기술이 사용되지 않음을 나타냅니다.

표 1-7. 전원 관리 옵션

옵션	설명
AC Recovery (Last 기본값)	AC 전원이 손실된 후 복구되었을 때 시스템의 반응 방식을 결정합니다. Off. 전원이 복구된 후에도 시스템이 계속 꺼져 있도록 명령합니다. 전면 패널 전원 단추를 눌러야 시스템이 켜집니다. On. 전원이 복구되면 시스템이 켜지도록 명령합니다. Last. 시스템 전원이 꺼지기 직전의 전원 상태로 돌아가도록 명령합니다.
Auto Power On (Off 기본값)	Auto Power Time 설정을 사용하여 시스템을 켜는 시점을 결정합니다. Off. 시스템이 Auto Power Time 기능을 사용하지 않도록 명령합니다. Everyday. 매일 Auto Power Time 에 설정된 시간에 시스템을 켭니다. Weekdays. 월요일에서 금요일까지 매일 Auto Power Time 에 설정된 시간에 시스템을 켭니다.
Auto Power Time	시스템을 켜는 시간을 결정합니다.
Low Power Mode (Off 기본값)	On. 대부분의 하드웨어 기능에 대해 전원을 차단함으로써 전원을 크게 절약합니다. Off. 일부 하드웨어 기능에 대해 전원을 차단함으로써 전원을 어느정도 절약합니다.

표 1-7. 전원 관리 옵션 (계속)

옵션	설명
Remote Wake Up (Off 기본값)	일시 중지, 최대 절전 또는 꺼짐 상태에서 원격으로 시스템을 켜는 방식을 결정합니다. Off. NIC가 시스템을 시작하지 못하도록 합니다. On. NIC가 시스템을 시작할 수 있도록 합니다. On w/ Boot to NIC NIC가 시스템을 시작하고 네트워크로 부팅할 수 있도록 합니다. 시스템이 원격 시작을 수행하도록 하려면 먼저 Low Power Mode를 Off로 설정해야 합니다.

표 1-8. 유지보수 옵션

옵션	설명
Load Defaults	모든 시스템 설치 프로그램 옵션을 출하시 기본값으로 복원할 수 있도록 합니다.
Event Log	이벤트 로그를 볼 수 있도록 합니다. R은 Read를 나타내고 U는 Unread를 나타냅니다. 모든 항목을 읽은 것으로 표시하면 모든 항목의 왼쪽에 R이 나타납니다. Clear Log. 이벤트 로그를 삭제합니다.

표 1-9. 사후 동작 옵션

옵션	설명
Fast Boot (On 기본값)	이 기능을 사용하도록 설정하면 일부 호환 절차를 무시하므로 시스템 시동 시간이 줄어듭니다. Off. 시스템을 시동하는 동안 어떤 단계도 무시하지 않습니다. On. 시스템을 빨리 시작합니다.
Numlock Key (On 기본값)	키보드 오른쪽에 있는 숫자 키의 기능을 결정합니다. Off. 오른쪽 키패드 키가 화살표 키로 동작하도록 명령합니다. On. 오른쪽 키패드 키가 숫자 키로 동작하도록 명령합니다.
POST Hotkeys (Setup and Boot Menu 기본값)	로그온 화면에 설치 프로그램과 빠른 부팅 기능으로 들어가는 데 필요한 키입력 순서를 나타내는 메시지를 표시할지 여부를 결정합니다. Setup & Boot Menu는 두 가지 메시지를 모두 표시합니다. (F2=설치, F12=부팅 메뉴) Setup. 설치 프로그램 메시지만 표시합니다 (F2=Setup). Boot Menu. 빠른 부팅 메시지만 표시합니다 (F12=Boot Menu). None. 메시지를 표시하지 않습니다.
Keyboard Errors (Report 기본값)	Report(사용)로 설정한 상태에서 POST 동안 오류가 검출된 경우 BIOS는 오류 메시지를 표시하고 계속하려면 <F1>을 누르고 시스템 설치 프로그램으로 들어가려면 <F2>를 누르라는 메시지를 표시합니다. Do Not Report(사용 안 함)로 설정한 상태에서 POST 동안 오류가 검출된 경우 BIOS는 오류 메시지를 표시하고 시스템 부팅을 계속합니다.

시스템 암호 지정

시스템 암호를 지정하기 전에 먼저 시스템 설치 프로그램을 시작하여 **System Password** 옵션을 확인하십시오.

시스템 암호가 지정되어 있으면 **System Password** 옵션의 설정이 **Set**로 표시됩니다. **Password Changes**에 표시된 설정이 **Unlocked**로 설정되어 있으면 시스템 암호를 변경할 수 있습니다. **Password Changes** 옵션이 **Locked**로 설정된 경우, 시스템 암호를 변경할 수 없습니다. 시스템 암호 기능이 시스템 보드의 점퍼 설정으로 비활성화된 경우, 시스템 암호는 **Disabled**가 되고 새 시스템 암호를 변경하거나 입력할 수 없습니다.


시스템 암호가 지정되어 있지 않고 시스템 보드의 암호 점퍼가 활성화(기본값)되어 있는 경우, **System Password** 옵션의 설정값은 **Not Set**이고 **Password Changes** 필드는 **Unlocked**입니다. 시스템 암호를 지정하려면:

- 1 **Password Changes** 옵션이 **Unlocked**로 설정되어 있는지 확인하십시오.
- 2 **System Password** 옵션을 지정하고 <Enter>를 누르십시오.
- 3 새 시스템 암호를 입력하십시오.

암호에는 최대 32자까지 지정할 수 있습니다.


각 문자 키(또는 빈 칸의 경우 스페이스바)를 누를 때마다 필드에 위치 지정자가 표시됩니다.

암호는 대소문자를 구분하지 않습니다. 그러나 일부 키 조합은 유효하지 않습니다. 유효하지 않은 키 조합을 입력하면 시스템에서 경고음이 납니다. 암호 입력시 문자를 지우려면 <Backspace> 또는 왼쪽 화살표 키를 누르십시오.

 **참고:** 시스템 암호를 지정하지 않고 다른 필드로 이동하려면 <Enter>를 누르거나 5단계를 실행하기 이전에 <Esc>를 누르십시오.

- 4 <Enter>를 누르십시오.
- 5 암호를 확인하려면, 다시 암호를 입력하고 <Enter>를 누르십시오.
System Password의 설정값이 **Set**으로 변경됩니다.
- 6 저장 후 시스템 설치 프로그램을 종료하고 시스템을 시작합니다.

시스템 보호를 위해 시스템 암호 사용

 **참고:** 관리자 암호를 지정하면(사용 설명서의 "Admin 암호 사용" 참조) 시스템 암호 대신 관리자 암호를 사용할 수 있습니다.

Password Changes 옵션이 Unlocked로 설정되어 있으면 암호 보호 기능을 활성화 상태로 두거나 비활성화할 수 있습니다.

암호 보호 기능을 활성화 상태로 두려면:


- 1 <Ctrl><Alt>을 눌러 시스템을 켜거나 재부팅하십시오.
- 2 암호를 입력하고 <Enter>를 누르십시오.

시스템을 켜거나 <Ctrl><Alt>을 눌러 시스템을 재부팅할 때마다 Password Changes 옵션이 Locked로 설정되어 있으면 암호를 입력하고 <Enter>를 누르십시오.

시스템 암호를 입력하고 <Enter>를 누르면 시스템이 작동됩니다.

틀린 시스템 암호를 입력하면 메시지가 나타나고 암호를 다시 입력하라는 창이 나타납니다. 암호를 다시 입력할 수 있는 기회는 세 번입니다. 세 번 이상 틀린 암호를 입력하면 틀린 횟수를 나타내는 오류 메시지가 나타나고 시스템이 정지된 다음 시스템이 종료됩니다. 이 메시지는 다른 사용자가 시스템을 무단으로 사용했음을 알려줍니다.


시스템이 종료되고 다시 시작되어도 올바른 암호를 입력할 때까지 오류 메시지가 계속해서 표시됩니다.

 **참고:** 시스템이 무단으로 변경되는 것을 방지하려면 System Password 및 Admin Password 옵션과 함께 Password Changes 옵션을 사용할 수 있습니다.

설정된 관리자 암호로 시스템 작동

Admin Password를 Set으로 설정한 경우, 시스템 설치 프로그램의 옵션을 변경하기 전에 관리자 암호를 정확하게 입력해야 합니다. 시스템 설치 프로그램을 시작하는 경우 Unlock Setup 옵션에서 암호를 입력해야 합니다.

세 번의 기회 동안 올바른 암호를 입력하지 않으면 시스템 설치 프로그램을 볼 수만 있고 변경할 수는 없습니다. 다음의 경우는 예외입니다. System Password가 Set으로 설정되어 있지 않고 Password Changes 옵션의 잠금이 해제 상태인 경우 시스템 암호를 지정할 수 있습니다. 그러나 기존 시스템 암호를 비활성화하거나 변경할 수는 없습니다.

 **참고:** 시스템 암호가 무단으로 변경되는 것을 방지하려면 Admin Password 옵션과 연계된 Password Changes 옵션을 사용할 수 있습니다.

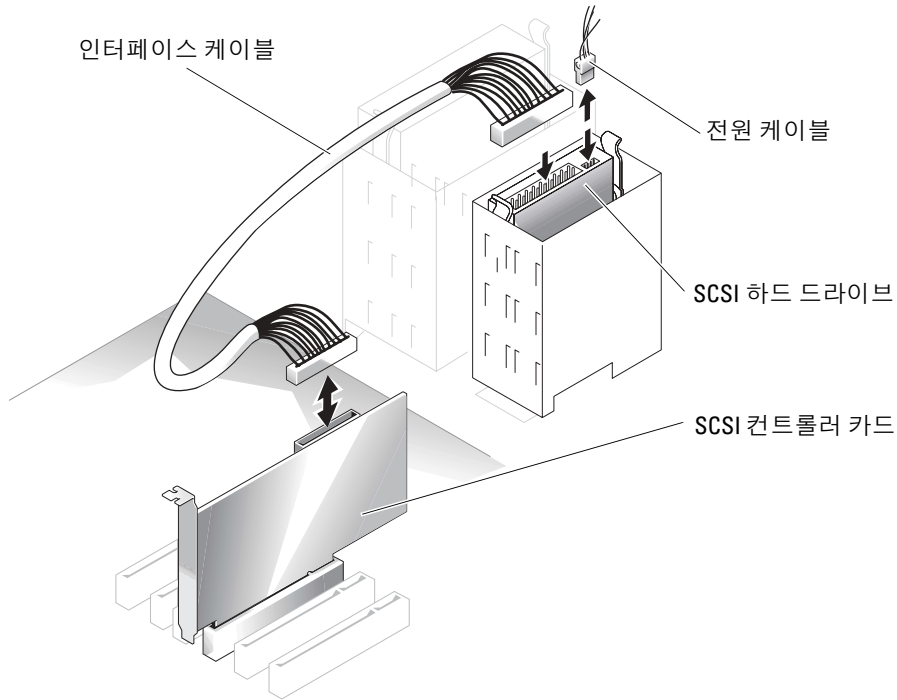
4 개의 하드 드라이브와 테이프 백업 장치가 있는 시스템

시스템의 프로세서가 하나이고 4개의 하드 드라이브 또는 테이프 백업 장치가 있는 경우 두 번째 프로세서 팬과 냉각 덮개를 설치해야 합니다. 프로세서 팬과 냉각 덮개 설치에 대한 지시 사항은 [설치 및 문제 해결 설명서](#)를 참조하십시오.

SCSI 하드 드라이브 설치

SCSI 하드 드라이브를 설치하는 경우 해당 드라이버를 SCSI 컨트롤러 카드에 연결해야 합니다. 그림 1-3을 참조하십시오. [설치 및 문제 해결 설명서](#)에 있는 설치 그림은 시스템 보드에 연결된 드라이브를 표시합니다.

그림 1-3. SCSI 하드 드라이브 설치



PCI Express 를 사용하는 시스템에서 메모리 유실 (" 메모리 홀 ")

PCI Express 슬롯 및 RAM 3.5 GB 이상이 장착된 시스템 구성에서 문제점이 보고되었습니다. 운영 체제는 사용 가능한 RAM 크기를 시스템에 실제로 설치되어 있는 크기보다 작게 표시할 것입니다. 보통 "메모리 홀"이라고 하는 이러한 메모리 양의 차이는 PCI Express 서브시스템의 요구 사항과 시스템에서 메모리를 할당하는 방법으로 인한 것입니다. PCI Express에서는 한 번에 256 MB 전체 블록 양의 RAM을 필요로 합니다. 따라서 시스템에서는 PCI Express 사용을 위해 최소 256 MB의 메모리를 할당하며, 시스템에 주변 장치 또는 통합 장치와 같은 추가 어댑터가 있거나 시스템에서 핫플러그 PCI Express를 지원하는 경우에는 할당되는 용량이 256 MB 블록 이상이 될 수 있습니다.

메모리 홀은 운영 체제 수준에서만 볼 수 있습니다. System Setup 프로그램은 설치된 RAM을 올바르게 표시합니다.

이 문서가 작성될 당시에 Microsoft의 지원 웹에 이러한 문제에 대한 해결 방법이 게시되었습니다. Microsoft Knowledge Base 자료 #283037을 참조하십시오. 이 해결 방법은 시스템에 4 GB 이상의 RAM이 설치되어 있고 운영 체제에서 PAE(Physical Address Extensions)을 지원하는 경우에만 적용됩니다.



주의사항: 특정 시스템 구성에서 문제가 발생할 수 있으므로 운영 체제에서 PAE를 활성화하기 전에 각별히 주의해야 합니다. Dell과 Microsoft Knowledge Base 자료 모두에서 이러한 문제에 대한 자세한 설명과 문제를 방지할 수 있는 방법을 찾아보아야 할 것입니다.

Microsoft Windows 2000 및 2003에서 PAE를 활성화하려면 **boot.ini** 파일에서 Windows 운영 체제에 해당하는 줄에 /PAE 스위치를 추가하십시오. 다른 운영 체제의 경우, PAE 지원 관련 정보는 설명서나 운영 체제 지원 웹 사이트를 참조하십시오.

Sistemas Dell™
PowerEdge™ *SC1420*

Actualización de información

Notas, avisos y precauciones



NOTA: una NOTA proporciona información importante que le ayudará a utilizar mejor el ordenador.



AVISO: un AVISO indica un posible daño en el hardware o la pérdida de datos, e informa de cómo evitar el problema.



PRECAUCIÓN: un mensaje de PRECAUCIÓN indica el riesgo de daños materiales, lesiones corporales o incluso la muerte.

Abreviaturas y acrónimos

Para ver una lista completa de abreviaturas y acrónimos, consulte el glosario de la *Guía del usuario*.

La información contenida en este documento puede modificarse sin notificación previa.

© 2004 Dell Inc. Reservados todos los derechos.

Queda estrictamente prohibida la reproducción de este documento de cualquier forma sin la autorización por escrito de Dell Inc.

Marcas comerciales utilizadas en este texto: *Dell*, el logotipo de *DELL* y *PowerEdge* son marcas comerciales de Dell Inc.; *Microsoft* y *Windows* son marcas comerciales registradas de Microsoft Corporation; *Red Hat* es una marca comercial registrada de Red Hat, Inc.

Las demás marcas comerciales y nombres comerciales que puedan utilizarse en este documento se refieren a las entidades propietarias de dichos nombres y marcas o a sus productos. Dell Inc. renuncia a cualquier interés en la titularidad de derechos sobre marcas comerciales y nombres comerciales que no sean los suyos.

Contenido

Instalación de Microsoft Windows Small Business Server 2003	117
Instalación de Red Hat Enterprise Linux ES (versión 3)	117
Ventilador de refrigeración de la memoria y cubierta	118
Instalación del ventilador y la cubierta de refrigeración de la memoria.	118
Mensajes de error del sistema	119
Opciones del programa de configuración del sistema	120
Pantalla principal	120
Asignación de una contraseña del sistema	126
Uso de la contraseña del sistema para proteger el sistema	127
Funcionamiento con una contraseña de administración establecida.	128
Sistemas con cuatro unidades de disco duro o una unidad de copia de seguridad en cinta.	129
Instalación de unidades de disco duro SCSI	129
Pérdida de memoria en los sistemas con PCI Express ("agujero de memoria")	130

Figuras

Figura 1-1.	Instalación del ventilador y la cubierta de refrigeración de la memoria	118
Figura 1-2.	Pantalla principal del programa de configuración del sistema	120
Figura 1-3.	Instalación de unidades de disco duro SCSI	129

Tablas

Tabla 1-1.	Mensajes del sistema	119
Tabla 1-2.	Opciones del sistema	121
Tabla 1-3.	Opciones de unidad	121
Tabla 1-4.	Opciones de dispositivos integrados	122
Tabla 1-5.	Opciones de rendimiento	123
Tabla 1-6.	Opciones de seguridad	124
Tabla 1-7.	Opciones de administración de energía	125
Tabla 1-8.	Opciones de mantenimiento	125
Tabla 1-9.	Opciones de comportamiento de la POST	126

En este documento se proporciona información actualizada sobre el sistema con respecto a los siguientes temas:

- Instalación de Microsoft® Windows® Small Business Server 2003
- Instalación de Red Hat® Enterprise Linux ES (versión 3)
- Ventilador de refrigeración de la memoria y cubierta
- Mensajes de error del sistema
- Opciones del programa de configuración del sistema
- Función Execute Disable (opciones del programa de configuración del sistema/opciones de seguridad)
- Asignación de una contraseña del sistema
- Funcionamiento con una contraseña de administración establecida
- Sistemas con cuatro unidades de disco duro o una unidad de copia de seguridad en cinta
- Instalación de unidades de disco duro SCSI
- Pérdida de memoria en los sistemas con PCI Express (“agujero de memoria”)

Instalación de Microsoft Windows Small Business Server 2003

Si instala Microsoft Windows Small Business Server 2003 en un sistema Dell™ PowerEdge™ SC1420, puede parecer que la instalación se detenga a falta de unos treinta minutos para completar el proceso mientras Windows informa de que está registrando componentes. Durante esta fase de la instalación, Windows instala actualizaciones y parches de seguridad adicionales, lo que puede alargar el proceso de instalación bastante más de lo indicado en el tiempo restante previsto. Mientras se instalan estas actualizaciones, no realice ninguna acción y deje transcurrir el tiempo necesario para que se complete la instalación. Las pruebas realizadas por Dell indican que este intervalo puede ser de 5 a 45 minutos, según la configuración del hardware. Microsoft ha documentado este comportamiento en el artículo 839492 de Knowledge Base.

Instalación de Red Hat Enterprise Linux ES (versión 3)

Antes de instalar Linux en el sistema, cambie la opción **SATA Operation** (Funcionamiento SATA) bajo el menú **Drives** (Unidades) del programa de configuración del sistema a **RAID Off** (RAID desactivado).

Ventilador de refrigeración de la memoria y cubierta

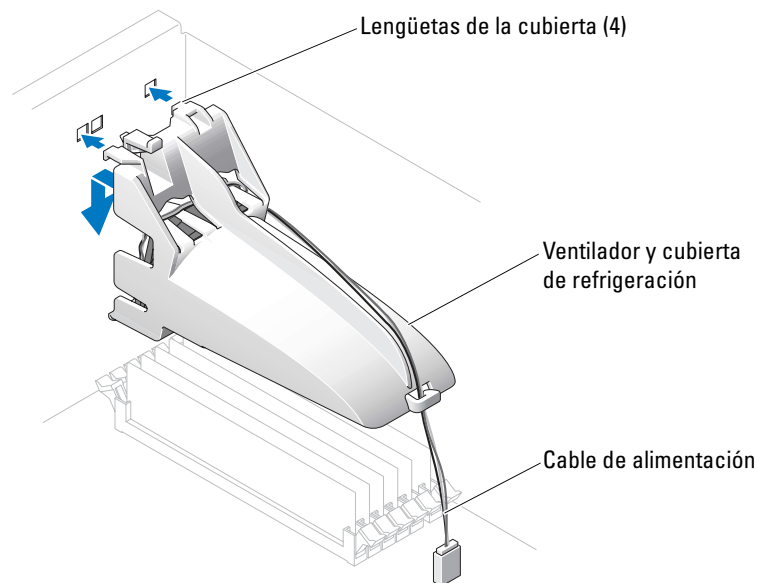
- ⓘ AVISO:** si instala más de 4 GB de memoria, también deberá instalar el ventilador de refrigeración de la memoria y la cubierta para evitar el sobrecalentamiento de la memoria. En caso de no instalar el ventilador y la cubierta de refrigeración de la memoria, aparecerá un mensaje de error en el que se indicará que se deberá instalar un ventilador o quitar memoria.

Instalación del ventilador y la cubierta de refrigeración de la memoria

- ⚠ PRECAUCIÓN:** consulte la *Guía de información del sistema* para obtener información completa sobre las precauciones de seguridad, la manipulación de las piezas internas del ordenador y la protección contra descargas electrostáticas.

- 1 Apague el sistema y los periféricos conectados, y desconecte el sistema de la toma eléctrica.
- 2 Abra el sistema.
- 3 Alinee las lengüetas del ventilador y la cubierta de refrigeración de la memoria con los orificios situados en el panel posterior. Consulte la figura 1-1.

Figura 1-1. Instalación del ventilador y la cubierta de refrigeración de la memoria



- 4 Inserte las lengüetas y baje el ventilador y la cubierta de refrigeración de la memoria hasta que encajen en su sitio.
- 5 Conecte el cable de alimentación del ventilador y la cubierta de refrigeración de la memoria a la placa base. Consulte la figura 1-1.
- 6 Cierre el sistema.
- 7 Vuelva a conectar el sistema a la toma eléctrica y enciéndalo.

Mensajes de error del sistema

En la tabla 1-1 se listan los mensajes de error del sistema que se han añadido a la POST.

Tabla 1-1. Mensajes del sistema

Mensaje	Causas	Acciones correctivas
Alert! Memory fan has failed or is not present. A memory fan is required for the current memory configuration. Please see the documentation that came with your computer for more information.	Se han instalado más de 4 GB de memoria sin haber instalado el ventilador de memoria necesario.	Instale o reemplace el ventilador y la cubierta de refrigeración de la memoria.
Alert! Operating in debug mode. Please populate memory in pairs for normal operation.	Sólo hay instalado un módulo de memoria con una capacidad de más de 256 MB en DIMM_1.	Verá este mensaje de error al solucionar los problemas relacionados con los módulos de memoria. Tras llevar a cabo los procedimientos de solución de problemas, ocupe los módulos de memoria por pares idénticos. Consulte “Solución de problemas de la memoria del sistema” y “Pautas para la instalación de la memoria” en la <i>Guía de instalación y solución de problemas</i> .
Alert! Unable to initialize fan controller.	Placa base defectuosa.	Consulte “Obtención de ayuda” en la <i>Guía de instalación y solución de problemas</i> .
Error: Memory configured incorrectly Please enter Setup for Memory Info details.	Los módulos de memoria no están bien instalados.	Consulte “Pautas para la instalación de la memoria” en la <i>Guía de instalación y solución de problemas</i> .

Opciones del programa de configuración del sistema

Pantalla principal

En la figura 1-2 se muestra un ejemplo de la pantalla principal.

Figura 1-2. Pantalla principal del programa de configuración del sistema

Dell System PowerEdge SC1420		(www.dell.com)	
<p>System</p> <p>System Info CPU Info Memory Info Date/Time Boot Sequence</p> <p>Drives</p> <p>Diskette Drive Drive 0: SATA-0 Drive 1: SATA-1 Drive 2: DATA-0 Drive 3: DATA-1 Drive 4: DATA-2 Drive 5: DATA-3 SATA Operation SMART Reporting</p> <p>Onboard Devices</p> <p>Integrated NIC LPT Port Mode LPT Port Address Serial Port #1 Serial Port #2 USB PS/2 Mouse Port</p> <p>Performance</p> <p>Hyper-Threading HDD Acoustic Mode</p> <p>Security</p> <p>Admin password System password</p>	<p>Diskette Drive</p> <p>Off USB Internal Read Only</p> <p>This field determines how the floppy drive operates.</p> <p>Off = All floppy drives are disabled. USB = The internal floppy drive is disabled. If the USB controller is enabled and a USB floppy exists it will be bootable. Internal = The internal floppy drive is enabled. Read Only = The internal floppy drive is enabled and only allows reads.</p> <p>The factory default setting is Internal.</p> <p>Use ENTER to modify this selection Use Up/Down arrows to select a different field Use ESC key to exit this program Use +/- keys to expand or collapse a group</p>		

En las tablas de la 1-2 a la 1-9 se muestran las opciones y las descripciones de cada grupo de campos de información que aparecen en la pantalla principal del programa de configuración del sistema.



NOTA: los valores predeterminados del programa de configuración del sistema se enumeran, si procede, bajo las opciones respectivas.

Tabla 1-2. Opciones del sistema

Opción	Descripción
System Info	Muestra el nombre del sistema, el número de la versión del BIOS, la fecha del BIOS, la etiqueta de servicio, el código de servicio urgente y la etiqueta de inventario.
CPU Info	Muestra la información siguiente para el procesador instalado en el sistema: tipo de procesador, frecuencia de reloj del procesador, velocidad del bus del procesador, tamaño de la memoria caché del procesador, número de ID de procesador, si el procesador es compatible con Hyper-Threading, y si el procesador tiene tecnología de 64 bits.
Memory Info	Muestra la cantidad de memoria instalada, la velocidad de la memoria, el modo de canal de la memoria y una descripción de la tecnología de memoria. Esta opción también muestra una tabla en la que se describe el tamaño de la memoria, si el módulo de memoria tiene capacidad ECC, si es dual o no dual, el tipo y la organización.
Date/Time	Restablece el calendario y el reloj internos del sistema.
Boot Sequence (valor predeterminado: Diskette drive)	Determina el orden en el que el sistema busca los dispositivos de arranque durante el inicio del sistema. Las opciones disponibles pueden incluir la unidad de disquete, la unidad de CD, las unidades de disco duro y la red.

Tabla 1-3. Opciones de unidad

Opción	Descripción
Diskette Drive (valor predeterminado: Internal)	Activa y desactiva las unidades de disquete y establece el permiso de lectura para la unidad de disquete interna. La opción Off (Desactivar) desactiva todas las unidades de disquete. USB desactiva la unidad de disquete interna y activa una unidad USB si se ha activado la controladora de USB y se ha conectado una unidad USB. La opción Internal (Interna) activa la unidad de disquete interna. Read Only (Sólo lectura) activa la controladora de la unidad interna y concede el permiso de sólo lectura para la unidad de disquete interna. NOTA: las unidades de disquete son opcionales y pueden no formar parte de su sistema.

Tabla 1-3. Opciones de unidad (continuación)

Opción	Descripción
Drive (0-5) (valor predeterminado: On)	Activa o desactiva un dispositivo PATA o SATA (como una unidad de disco duro, de CD o de DVD). Off (Desactivar) desactiva la interfaz, de modo que no puede utilizarse el dispositivo. On (Activar) activa la interfaz, de modo que puede utilizarse el dispositivo. Muestra el tipo de controladora (PATA o SATA), el número de puerto que utiliza la unidad, el número de ID de la unidad, la capacidad y si la unidad está controlada por el BIOS. NOTA: las unidades 0 y 1 se reservan para unidades SATA, mientras que las unidades 2 a 5 se reservan para unidades PATA o IDE.
SATA Operation (valor predeterminado: RAID On)	Determina el modo de funcionamiento de la controladora SATA integrada. RAID On (RAID activada) activa el soporte para RAID. RAID Off (RAID desactivada) desactiva el soporte para RAID. AVISO: si utiliza una tarjeta controladora SCSI RAID adicional, establezca el modo de funcionamiento de la controladora SATA integrada en RAID Off .
SMART Reporting (valor predeterminado: Off)	Determina si se notifican o no los errores de disco duro de las unidades internas durante el inicio del sistema. Si se establece el valor Off (Desactivar), no se notifican los errores. Si se establece el valor On (Activar), se notifican los errores.

Tabla 1-4. Opciones de dispositivos integrados

Opción	Descripción
Integrated NIC (valor predeterminado: On)	Activa o desactiva la controladora NIC integrada. Off (Desactivar) desactiva la controladora. On (Activar) activa la controladora. NOTA: PXE o RPL sólo es necesario si está iniciando desde un sistema operativo de otro sistema, no si lo está haciendo desde un sistema operativo de una unidad de disco duro de este sistema.
USB (valor predeterminado: On)	Activa o desactiva la controladora USB interna. Off (Desactivar) desactiva la controladora. On (Activar) activa la controladora. No Boot (Sin inicio) activa la controladora pero desactiva la posibilidad de iniciar desde un dispositivo USB.
LPT Port Mode (valor predeterminado: PS/2)	Determina el modo de funcionamiento del puerto paralelo interno. Off (Desactivar) desactiva el puerto. AT configura el puerto para la compatibilidad con IBM AT. PS/2 configura el puerto para la compatibilidad con IBM PS/2. EPP configura el puerto para el protocolo bidireccional EPP. ECP configura el puerto para el protocolo bidireccional ECP. Si establece LPT Port Mode (Modo del puerto LPT) en ECP , aparecerá la opción LPT Port DMA (DMA del puerto LPT) en el menú de opciones.

Tabla 1-4. Opciones de dispositivos integrados (continuación)

Opción	Descripción
LPT Port Address (378 es el valor predeterminado)	Determina la dirección que utiliza el puerto paralelo integrado.
Serial Port (#1 or #2) (valor predeterminado: Auto)	<p>Las opciones para el puerto serie 1 son COM1, COM3, Auto (Automático) y Off (Desactivado).</p> <p>Las opciones para el puerto serie 2 son COM2, COM4, Auto (Automático) y Off (Desactivado).</p> <p>Cuando el puerto serie 1 o 2 está establecido en Auto (Automático), el puerto integrado se asigna de manera automática al siguiente puerto disponible. El puerto serie 1 intenta utilizar primero COM1 y luego COM3. El puerto serie 2 intenta utilizar primero COM2 y luego COM4. Si ambas direcciones están siendo usadas por un puerto específico, el puerto se desactiva.</p> <p>Si establece el puerto serie en Auto (Automático) y añade una tarjeta de expansión con un puerto configurado para la misma designación, el sistema reasignará automáticamente el puerto integrado a la siguiente designación de puerto disponible que comparta el mismo valor de IRQ.</p>
PS/2 Mouse Port (valor predeterminado: On)	Activa o desactiva la controladora del ratón compatible con PS/2 integrada. Off (Desactivar) desactiva la controladora. On (Activar) activa la controladora.

Tabla 1-5. Opciones de rendimiento

Opción	Descripción
Hyper-Threading (valor predeterminado: On)	Determina si el procesador físico aparece como uno o como dos procesadores lógicos. El rendimiento de algunas aplicaciones mejora si hay instalados más procesadores lógicos. On (Activar) activa Hyper-Threading. Off (Desactivar) desactiva Hyper-Threading.
HDD Acoustic Mode (valor predeterminado: Performance)	Permite optimizar el rendimiento y el nivel de ruido de la unidad SATA o PATA de acuerdo con sus preferencias personales. Bypass (Omitir) se utiliza para las unidades antiguas. Quiet (Silencio) disminuye el rendimiento de la unidad pero reduce el ruido de ésta. Suggested (Recomendado) ajusta el rendimiento al modo preferido del fabricante. Performance (Rendimiento) aumenta el rendimiento de la unidad pero puede aumentar el ruido de la misma.

Tabla 1-6. Opciones de seguridad

Opción	Descripción
Admin Password (valor predeterminado: Not Set)	Muestra el estado actual de la función de seguridad por contraseña del programa de configuración del sistema y permite asignar y verificar una nueva contraseña de administración. NOTA: consulte “Uso de la contraseña de administración” en la <i>Guía del usuario</i> para obtener instrucciones sobre cómo asignar una contraseña de administración y cómo usar o cambiar una contraseña de administración existente.
System Password (valor predeterminado: Not Set)	Muestra el estado actual de la función de seguridad por contraseña del sistema y permite verificar y asignar una nueva contraseña del sistema. NOTA: consulte “Uso de la contraseña del sistema” en la <i>Guía del usuario</i> para obtener instrucciones sobre cómo asignar una contraseña del sistema y cómo usar o cambiar una contraseña del sistema existente.
Password Changes (valor predeterminado: Unlocked)	Determina la interacción entre la contraseña del sistema y la contraseña de configuración . Locked (Bloqueada) impide que un usuario con una contraseña de configuración válida pueda modificar la contraseña del sistema . Unlocked (Desbloqueada) permite que un usuario con una contraseña de configuración válida pueda modificar la contraseña del sistema.
Chassis Intrusion (valor predeterminado: On-Silent)	Activa o desactiva la función de detección de intrusión en el chasis. Cuando se establece en On-Silent (Activado silencioso), se detecta la intrusión en el chasis pero no aparece ningún mensaje de advertencia durante el inicio. Cuando se establece en On (Activado), este campo muestra DETECTED (Detectado) cuando se ha abierto la cubierta del chasis. Si se pulsa una tecla de edición, se acepta el aviso de intrusión y se indica al sistema que busque más problemas de seguridad. El valor Off (Desactivado) desactiva la función de detección de intrusión en el chasis.
Intrusion Alert	Al pulsar la tecla <Intro>, se acepta el aviso de intrusión y se indica al sistema que busque más problemas de seguridad.
Executable Disable (valor predeterminado: On)	Execute Disable (XD) es una nueva función de seguridad que ayuda a prevenir la ejecución de código en determinadas áreas de la memoria cuando se combinan con un sistema operativo o aplicación compatibles. Execute Disable ayuda a combatir los virus que utilizan ataques consistentes en desbordar el búfer. Execute Disable tiene dos valores: On (Activado) y Off (Desactivado). On indica que la tecnología de protección de memoria Execute Disable está activada. Off indica que la tecnología de protección de memoria Execute Disable está desactivada.

Tabla 1-7. Opciones de administración de energía

Opción	Descripción
AC Recovery (valor predeterminado: Last)	Determina cómo responde el sistema cuando se restablece la alimentación de CA después de un corte del suministro eléctrico. Off (Desactivado) indica al sistema que permanezca apagado cuando se restablezca la alimentación. Para encender el sistema, deberá presionar el botón de alimentación situado en el panel frontal. On (Activado) indica al sistema que se encienda cuando se restablezca la alimentación. Last (Último) indica al sistema que vuelva al último estado de alimentación en el que se encontraba justo antes de que se apagara.
Auto Power On (valor predeterminado: Off)	Determina cuándo debe utilizarse la opción Auto Power Time (Hora de encendido automático) para encender el sistema. Off (Desactivado) indica al sistema que no utilice la función Auto Power Time (Hora de encendido automático). Everyday (Cada día) enciende el sistema cada día a la hora definida en Auto Power Time (Hora de encendido automático). Weekdays (Días laborables) enciende el sistema cada día de lunes a viernes a la hora definida en Auto Power Time (Hora de encendido automático).
Auto Power Time	Determina la hora a la que desea que se encienda el sistema.
Low Power Mode (valor predeterminado: Off)	On (Activar) ahorra más energía al quitarla de la mayoría de las funciones de hardware. Off (Desactivar) ahorra menos energía y la quita de menos funciones de hardware.
Remote Wake Up (valor predeterminado: Off)	Determina cómo se enciende el sistema de forma remota desde el modo de suspensión, el modo de hibernación o el estado apagado. Off (Desactivar) desactiva la NIC para que no pueda encender el sistema. On (Activar) activa la NIC para que encienda el sistema. On w/ Boot to NIC (Activado con arranque desde la NIC) activa la NIC para que encienda el sistema y lo inicie desde la red. Si desea que el sistema realice una activación remota (Remote Wake Up), primero debe establecer Low Power Mode (Modo de administración de energía mínima) en Off (Desactivar).

Tabla 1-8. Opciones de mantenimiento

Opción	Descripción
Load Defaults	Permite restaurar todas las opciones del programa de configuración del sistema a sus valores predeterminados de fábrica.
Event Log	Permite ver el registro de sucesos. Las entradas leídas se marcan con R, mientras que las entradas no leídas se marcan con U. La opción Mark All Entries Read (Marcar todas las entradas como leídas) coloca una R a la izquierda de todas las entradas. La opción Clear Log (Borrar registro) borra el registro de sucesos.

Tabla 1-9. Opciones de comportamiento de la POST

Opción	Descripción
Fast Boot (valor predeterminado: On)	Cuando está activada, esta función reduce el tiempo de inicio del sistema al omitir algunos pasos de compatibilidad. Con la opción Off (Desactivar) no se omite ningún paso durante el inicio del sistema. Con la opción On (Activar) se inicia el sistema con mayor rapidez.
Numlock Key (valor predeterminado: On)	Determina la función de las teclas numéricas de la parte derecha del teclado. Off (Desactivar) indica a las teclas del teclado numérico de la derecha que funcionen como flechas. On (Activar) indica a las teclas del teclado numérico de la derecha que funcionen como números.
Teclas de acceso de la POST (valor predeterminado: Setup and Boot Menu)	Determina si la pantalla de inicio de sesión muestra un mensaje que indique la secuencia de pulsaciones de tecla necesaria para abrir el programa de configuración o la función de inicio rápido . Setup & Boot Menu (Configuración y menú de inicio) muestra los dos mensajes. (F2=Configuración y F12=Menú de inicio). Setup (Configuración) muestra sólo el mensaje de configuración: F2=Setup (F2=Configuración). Boot Menu (Menú de inicio) muestra sólo el mensaje de inicio rápido : F12=Boot Menu (F12=Menú de inicio). None (Ninguno) no muestra ningún mensaje.
Keyboard Errors (valor predeterminado: Report)	Si se establece en Report (Notificar) y se detecta un error durante la POST, el BIOS mostrará un mensaje de error y le solicitará que pulse <F1> para continuar o <F2> para abrir el programa de configuración del sistema. Si se establece en Do Not Report (No notificar) y se detecta un error durante la POST, el BIOS mostrará un mensaje de error y continuará iniciando el sistema.

Asignación de una contraseña del sistema

Antes de asignar una contraseña del sistema, abra el programa de configuración del sistema y verifique la opción **System Password** (Contraseña del sistema).

Cuando hay asignada una contraseña del sistema, la opción **System Password** (Contraseña del sistema) tiene el valor **Set** (Establecida). Si el valor que se muestra para **Password Changes** (Cambios de contraseña) es **Unlocked** (Desbloqueada), puede cambiar la contraseña del sistema. Si el valor de la opción **Password Changes** (Cambios de contraseña) es **Locked** (Bloqueada), no es posible cambiar la contraseña del sistema. Cuando la función de contraseña del sistema está desactivada por la posición de un puente, la contraseña del sistema tiene el valor **Disabled** (Desactivada) y no se puede cambiar ni introducir una contraseña nueva del sistema.

Cuando no se ha asignado una contraseña del sistema y el puente de la contraseña en la placa base está en la posición activada (valor predeterminado), el valor que se muestra para la opción **System Password** (Contraseña del sistema) es **Not Set** (No establecida) y el campo **Password Changes** (Cambios de contraseña) tiene el valor **Unlocked** (Desbloqueada). Para asignar una contraseña del sistema:

- 1 Verifique que la opción **Password Changes** (Cambios de contraseña) tenga el valor **Unlocked** (Desbloqueada).


- 2 Resalte la opción **System Password** (Contraseña del sistema) y pulse <Intro>.

- 3 Escriba la nueva contraseña del sistema.

Puede utilizar hasta 32 caracteres en la contraseña.

Cada vez que pulse una tecla de carácter (o la barra espaciadora para insertar un espacio en blanco), aparecerá un marcador de posición en el campo.

En la asignación de una contraseña no se distingue entre mayúsculas y minúsculas. Sin embargo, algunas combinaciones de teclas no son válidas. Si introduce alguna de estas combinaciones, el sistema emitirá un sonido. Para borrar un carácter cuando introduce la contraseña, pulse la tecla de retroceso o la tecla de flecha hacia la izquierda.

 **NOTA:** para salir del campo sin asignar una contraseña del sistema, pulse <Intro> para pasar a otro campo, o pulse <Esc> en cualquier momento antes de completar el paso 5.


- 4 Pulse <Intro>.

- 5 Para confirmar la contraseña, escríbala otra vez y pulse <Intro>.

El valor mostrado para la **contraseña del sistema** cambiará a **Set** (Establecida).

- 6 Guarde y salga del programa de configuración del sistema y comience a utilizar el sistema.

Uso de la contraseña del sistema para proteger el sistema

 **NOTA:** si ha asignado una contraseña de administración (consulte “Uso de la contraseña de administración” en la *Guía del usuario*), el sistema acepta su contraseña de administración como contraseña del sistema alternativa.

Cuando la opción **Password Changes** (Cambios de contraseña) tiene el valor **Unlocked** (Desbloqueada), tiene la posibilidad de dejar activada la seguridad por contraseña o desactivarla.

Para dejar la seguridad por contraseña activada:

- 1 Encienda o reinicie el sistema; para ello, pulse <Ctrl><Alt><Supr>.


- 2 Escriba la contraseña y pulse <Intro>.

Cuando la opción **Password Changes** (Cambios de contraseña) está establecida en **Locked** (Bloqueada), siempre que encienda el sistema o que lo reinicie mediante las teclas <Ctrl><Alt><Supr>, deberá escribir la contraseña y pulsar <Intro> cuando se lo solicite el sistema.

Después de teclear la contraseña del sistema correcta y pulsar <Intro>, el sistema funcionará de la manera habitual.

Si se introduce una contraseña del sistema incorrecta, el sistema mostrará un mensaje y le solicitará que vuelva a introducir la contraseña. Tiene tres intentos para introducir la contraseña correcta. Después del tercer intento fallido, el sistema mostrará un mensaje de error que indica el número de intentos fallidos e informa de que el sistema ha suspendido su funcionamiento y se apagará. Este mensaje puede alertarle de que una persona no autorizada intenta utilizar el sistema.


El mensaje de error continuará mostrándose hasta que se introduzca la contraseña correcta, incluso después de que apague y reinicie el sistema.

 **NOTA:** puede utilizar la opción **Password Changes** (Cambios de contraseña) junto con las opciones **System Password** (Contraseña del sistema) y **Admin Password** (Contraseña de administración) para proteger aún más el sistema frente a cambios no autorizados.

Funcionamiento con una contraseña de administración establecida

Si la **contraseña de administración** está **establecida**, deberá introducir la contraseña de administración correcta para poder modificar la mayoría de las opciones de configuración del sistema. Cuando se inicia el programa de configuración del sistema, éste le pide que introduzca la contraseña en la opción **Unlock Setup** (Desbloquear configuración).

Si no introduce la contraseña correcta en tres intentos, el sistema le permitirá ver, pero no modificar, las pantallas del programa de configuración del sistema, con la siguiente excepción: si la opción **System Password** (Contraseña del sistema) no tiene el valor **Set** (Establecida) y no está bloqueada mediante la opción **Password Changes** (Cambios de contraseña), podrá asignar una contraseña del sistema, aunque no podrá desactivar ni cambiar una contraseña del sistema existente.

 **NOTA:** puede utilizar la opción **Password Changes** (Cambios de contraseña) junto con la opción **Admin Password** (Contraseña de administración) para proteger la contraseña del sistema frente a cambios no autorizados.

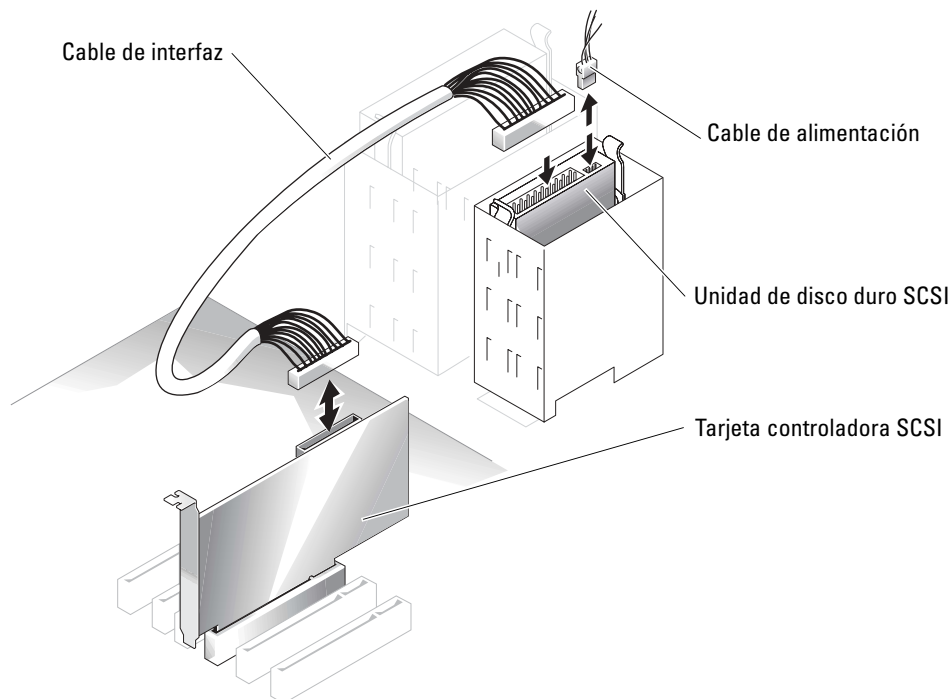
Sistemas con cuatro unidades de disco duro o una unidad de copia de seguridad en cinta

Si el sistema contiene un único procesador y cuatro unidades de disco duro o una unidad de copia de seguridad en cinta, deberá instalar el segundo conjunto de ventilador y cubierta de refrigeración del procesador. Encontrará las instrucciones para instalar el ventilador y la cubierta de refrigeración del procesador en la *Guía de instalación y solución de problemas*.

Instalación de unidades de disco duro SCSI

Al instalar unidades de disco duro SCSI, debe conectar las unidades a una tarjeta controladora SCSI. Consulte la figura 1-3. La ilustración de instalación de la *Guía de instalación y solución de problemas* muestra las unidades que se conectan a la placa base.

Figura 1-3. Instalación de unidades de disco duro SCSI



Pérdida de memoria en los sistemas con PCI Express (“agujero de memoria”)

En las configuraciones del sistema que incluyen ranuras para PCI Express y una memoria RAM de 3,5 GB o más, se ha detectado que el sistema operativo muestra una cantidad de memoria RAM disponible inferior a la instalada realmente en el sistema. La diferencia de memoria, denominada comúnmente “agujero de memoria”, se debe a los requisitos del subsistema PCI Express y al modo en que el sistema ha asignado la memoria. PCI Express requiere una memoria RAM en bloques completos de 256 MB. Por lo tanto, el sistema asigna un mínimo de 256 MB para PCI Express, y la asignación puede aumentar (en bloques adicionales de 256 MB) si el sistema contiene adaptadores adicionales, ya sean periféricos o integrados, o si el sistema admite PCI Express de acoplamiento activo.

El agujero de memoria sólo es visible en el nivel del sistema operativo. El programa de configuración del sistema informa correctamente de la memoria RAM instalada.

En el momento de redactar este documento, existe una solución disponible, según se indica en el artículo 283037 de Microsoft Knowledge Base que se encuentra en la página Web de asistencia de Microsoft. Esta solución sólo se aplica si el sistema tiene una memoria RAM de 4 GB o más y el sistema operativo admite Physical Address Extensions (PAE).



AVISO: debe ir con cuidado al activar PAE en el sistema operativo, ya que pueden producirse varios problemas en determinadas configuraciones del sistema. Consulte Dell Knowledge Base y Microsoft Knowledge Base y busque artículos donde se detallen estos problemas a fin de tomar las medidas apropiadas para evitarlos.

Para activar PAE en Microsoft Windows 2000 y 2003, añada un modificador /PAE a la línea correspondiente al sistema operativo Windows del archivo **boot.ini**. En el caso de otros sistemas operativos, consulte la documentación o la página Web de asistencia del sistema operativo para obtener información sobre la compatibilidad con PAE.